

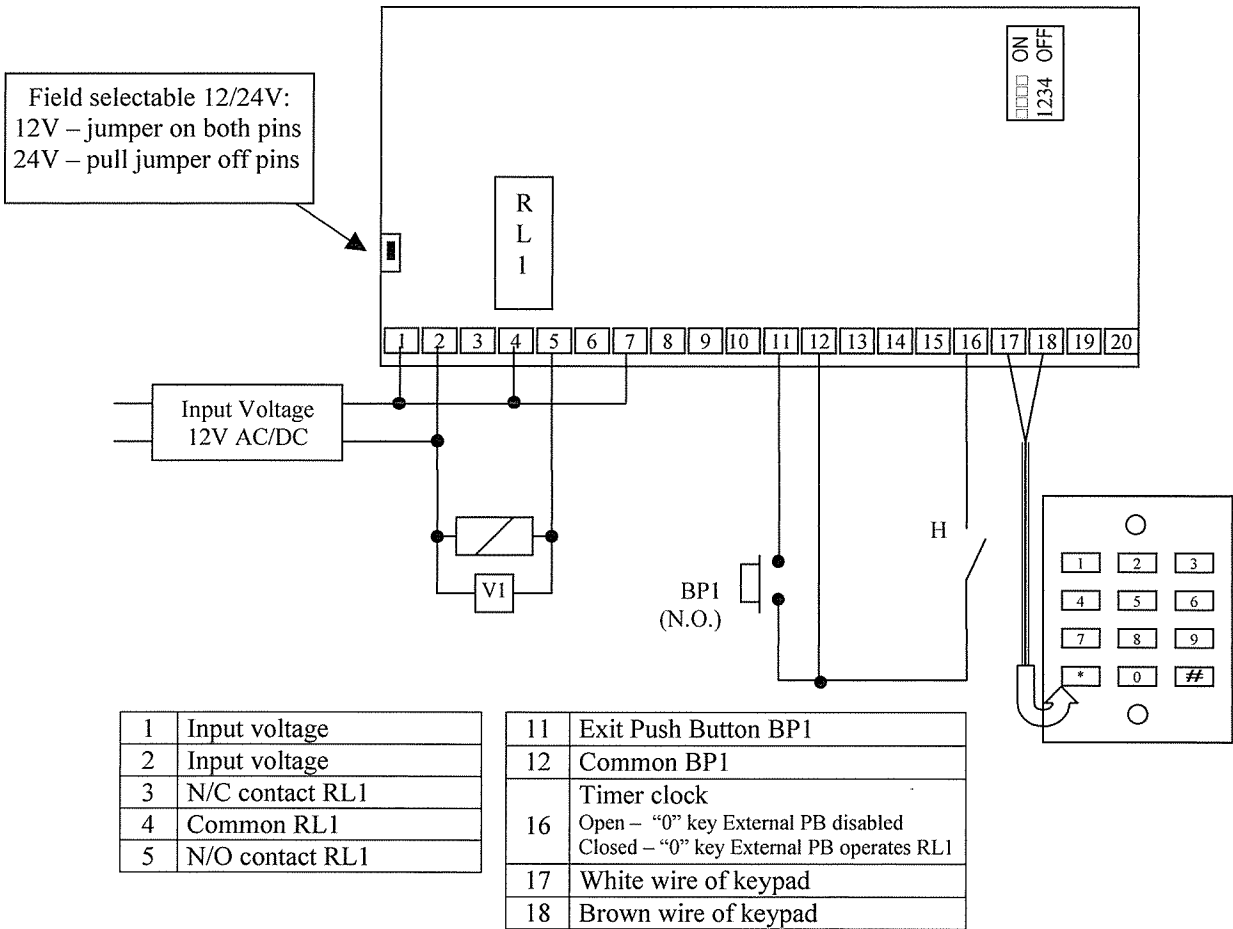


Camden Manufacturing

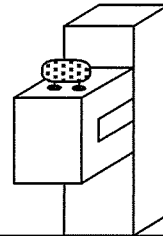
CM-100 SSR

(Replaces # CM-50SSR)

WEATHERPROOF STAINLESS STEEL KEYPAD 100 USER CODES



This device comes with a varistor.
The varistor must be connected to the strike terminal (or electromagnet). If this product works with many strikes, each of them should have a varistor.
The varistor controls the overload produced by the strike coil – back emf.



If you are using a « Shear Lock » electromagnetic lock, it is recommended to use a separate power supply than the one connected to the **CM-100SSR**

Technical specifications

Input voltage	12 or 24 V AC/DC (Do not use the latched output in 24V!)
Output	1 relay 1 contact N/O & N/C 8A/250 V~
Operating temperature	-20°C to +50°C
User codes	100 programmable user codes (00 to 99)
User modification code	2-digit user modification code
Master code	4 or 5-digit programmable master code
Code length	Dip-switch n° 3 (ON for 4-digit code, OFF for 5-digit code)
Push button	Request-to-exit and key «0» as an external push button (control by the contact timer)
Keyboard	12-digit keypad and 1 buzzer

Default values

Relay time delay:	1 second
Key-in keypad and lit delay:	10 seconds
Programming delay:	120 seconds (2 minutes)
Code of modification:	* and # or A and B

User codes

All the digit keys can be used to program a user code (0 to 9, * and # or A and B).
 The master code cannot be used as a user code.
 The 4-digit code 0000 and the 5-digit code 00000 are used to delete an existing user code and then cannot be used as user codes.

Push buttons

The request-to-exit button activates the relay (the relay can be programmed in momentary or latched time output).

The contact of the timer allows to program the « 0 » key as an external button:
 Contact of the timer opened and dip-switch n°3 in position ON - « 0 » digit external push button,
 Contact of the timer closed - « 0 » in normal mode

Dip-switches

DIP-SWITCH	ON	OFF
1	Programming by the user disabled	Programming enabled
2	Programming by keypad disabled	Programming enabled
3	4-digit user code	5-digit user code
4	Programming of master code enabled	Programming disabled

Setting a new master code

1. Select the user code length with dipswitch n° 3 (ON for a 4-digit code or OFF for a 5-digit code).
2. Put dipswitch #4 ON.
3. Enter the 4 or 5-digit master code (according to dip-switch n° 3 position) for a new master code. An audible beep indicates that the new master code is accepted.
4. Put back dipswitch n° 4 in position OFF to exit from programming and go back to a standby mode.

Setting user codes and time delay

1. Put dipswitch n° 2 in the OFF position (The programming from the keypad is enabled).
2. Enter the master code twice. Two beeps sound to confirm entry in programming mode.
3. Enter the user number (from 00 to 99), then the 4 or 5-digit user code (see programming board on the next page). A beep will sound to confirm that the code has been accepted.
4. Enter *1 or A1 (for the door relay), then the time delay in seconds – 01 for 1 second up to 99 for 99 seconds. For a latched output time enter 00.

Do not use the latched output in 24V!

An audible beep sound to confirm that the time delay has been accepted.

5. Enter * 9 or A9 (user modification code), then the 2-digit code. An audible beep sound to confirm that the new user modification code has been accepted.
6. Press # or B. Two beeps confirm that the keypad is back to a standby mode.
7. Put dipswitch n° 2 back to ON position. (to disable the programming from keypad).

Four beeps indicates a data computing error.

Changing a PIN code by the user

Put dipswitch No. 1 ON to disable the modification of a code by the user or put dipswitch OFF to enable the modification of a code by the user.

1. Enter the user code. The relay is activated.
2. Enter immediately the 2-digit user modification code (for the first use the user modification code default is * and # or A and B). One beep sounds to confirm that you are in programming mode.
3. Enter the new user code twice. Two audible beeps indicate that the new user code is accepted.
4. Enter the new user code for testing it. The relay is activated.

If the new user code is not entered correctly, four beeps sound to confirm that the modification is not done.

Setting user codes

- To set a new master code:
Set the code length by selecting the position on dipswitch n° 3 (ON for a 4-digit code, OFF for 5-digit code).

Dip-switch n° 4 ON	v	New master code	v	Dip-switch n° 4 OFF
				One audible beep

- Setting new user codes. Put dipswitch No. 2 OFF.

Master Code	v	Master Code	v	Two audible beeps

User codes

00	01	02	03
04	05	06	07
08	09	10	11
12	13	14	15
16	17	18	19
20	21	22	23
24	25	26	27
28	29	30	31
32	33	34	35
36	37	38	39
40	41	42	43
44	45	46	47
48	49	50	51
52	53	54	55
56	57	58	59
60	61	62	63
64	65	66	67
68	69	70	71
72	73	74	75
76	77	78	79
80	81	82	83
84	85	86	87
88	89	90	91
92	93	94	95
96	97	98	99

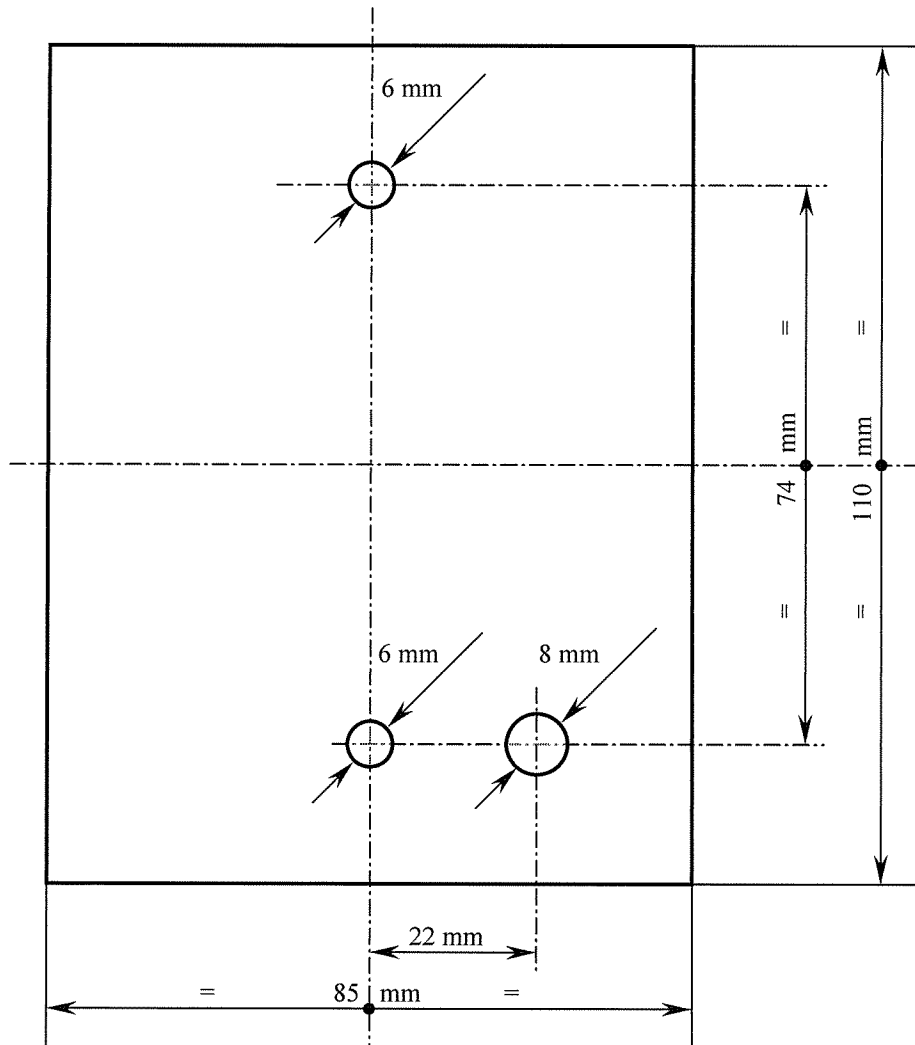
Relay time delay	Key-in keypad delay	User modification code
* 1 or A1	* 0 or A0	* 9 or A9

Press # to exit from the programming mode. Two beeps will sound to confirm that the keypad is in standby mode. Put dipswitch n° 2 back to ON.

Customer:		Date:
N°:	Street:	
City:	Prov./State:	Postal Code:
Other information:		

Template

CM-100 SSR (full size)



6-mm diameter holes– for brass anchors,

8-mm diameter hole – wiring access hole.