



Wireless/Touch-free Door Switch



Wireless Touch Free Reliable Healthy
Easy Installation No Damage from Gurneys Quality
Infrared Technology Germ Free Flexible RF Range

The Optex Air-Wave Touch-Free Door Switch provides reliable activation of Low Energy and Knowing-Act Doors without the need for direct contact by the user. Eliminate one of the main cross-contamination points near automatic doors, the push switch. At the same time, reduce installation cost and time by going wireless. Proprietary RF frequency and 2-year battery life make the Air-Wave the first choice for professional door distributors.

Touch Free

Eliminate one of the only cross contamination points on a low energy or knowing act door by installing the Optex Air-Wave Touchless Switch.

All Conditions

The Optex Air-Wave system can be used both indoors and outdoors.

Long Battery Life

Thanks to our advanced Infrared Technology, we are able to provide a 2 year battery life (250 activations per day average).

The Air-Wave Kit includes 2 Air-Wave TX, 1 Air-Wave RX, and 2 Hand stickers.

Foot stickers are also available as an option.



Air-Wave Door Switch

Specifications

| | |
|-----------------------|--|
| Model | Air-Wave TX |
| Description | Indoor/Outdoor Sensor Transmitter |
| Detection method | Passive Infrared |
| Detection Area | 10ft (3m) max. |
| Status Indicator | Red LED |
| Power Source | 9V Alkaline Battery |
| Battery Life | Approx. 2 years [250 times per day at 70°F(20°C)] |
| Frequency | 418MHz |
| Operating temperature | 15°F ~ 120°F (-10°C ~ +50°C) |
| Installation Location | Outdoor/Indoor |
| Weight | 6.3 oz (160g) |
| Accessories | Mounting Screw x 2; Touchless sticker for hand; Plastic Anchor x 2; Plastic Shim x 2 |

Specifications may change without notice

| | |
|-----------------------|---|
| Model | Air-Wave RX |
| Description | Wireless Receiver with Relay Output |
| Power Source | 12~24V AC/DC |
| | Standby: 30mA |
| | Operating: 80mA |
| Relay Output | Form "C" MAX 1A/50VAC - 24VDC |
| Output Timer | Selectable: 1/5/30/60sec |
| Status Indicator | Power Indicator: Green; Zone Indicator: Red x 3 |
| Frequency | 418 MHz |
| Operating Temperature | 15°F ~ 104°F (-10°C ~ +40°C) |
| Installation Location | Indoor |
| Weight | 4.2 oz (120g) |
| Accessories | Mounting Screw x 1 |

Specifications may change without notice

Durability

Mounting the sensor at ceiling height eliminates the chance of damage due to accidental impact of gurneys, carts or intentional vandalism.

Wireless

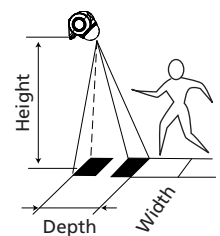
Reliable wireless technology reduces the cost and hassle of installing hardwired switches.

Detection Area Pattern

The Air-Wave TX detection area pattern is as illustrated when installed on the wall.

Area Pattern = Recommended mounting height

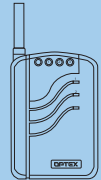
| Height | Area - Width x Depth |
|-----------|---------------------------|
| 7' (2.1m) | 8" (0.20m) x 12" (0.30m) |
| 8' (2.4m) | 9" (0.23m) x 14" (0.35m) |
| 9' (2.7m) | 10" (0.26m) x 16" (0.39m) |
| 10' (3m) | 11" (0.29m) x 17" (0.44m) |



Wireless Transmission Range

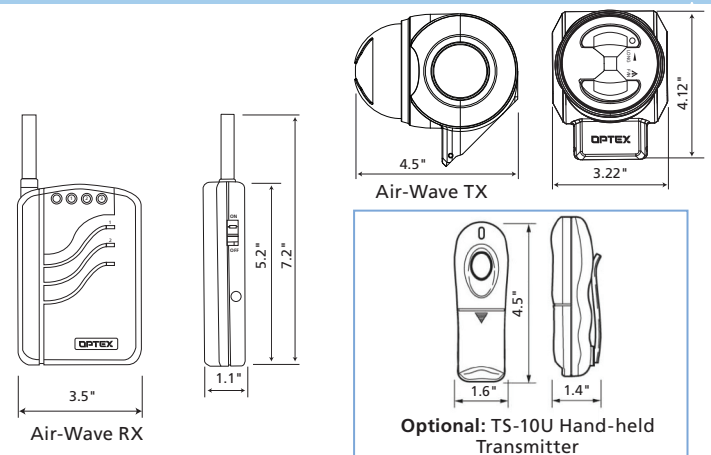
Sensor unit
Air-Wave TX

1000 ft (Open field, line of sight)
150 ft (Stucco/Plaster construction)
100 ft (Concrete construction)



Wireless Receiver
Air-Wave RX

Dimensions



3882 Del Amo Blvd, Suite 604
Torrance CA 90503
Ph 310 214-8644
Fax 310 214-8655
Toll free 800 877-6656
www.ot-inc.com

Optex Technologies Inc.
(East Coast Office)
8510 McAlpine Park Dr.
Suite 108
Charlotte, NC 28211

