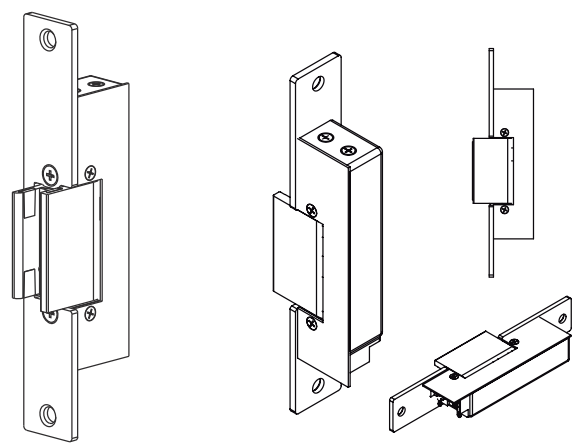
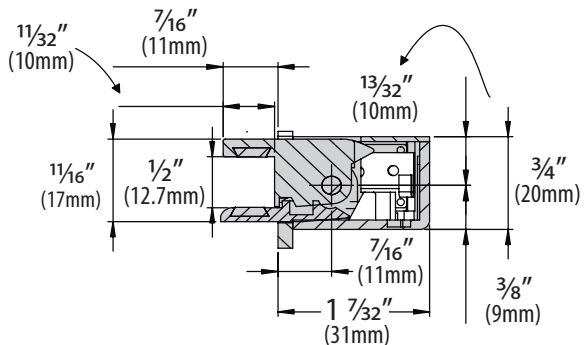
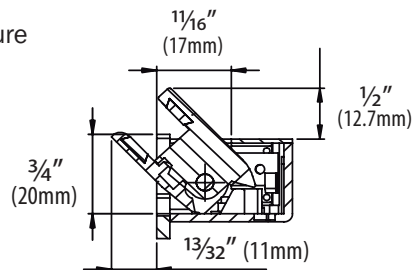
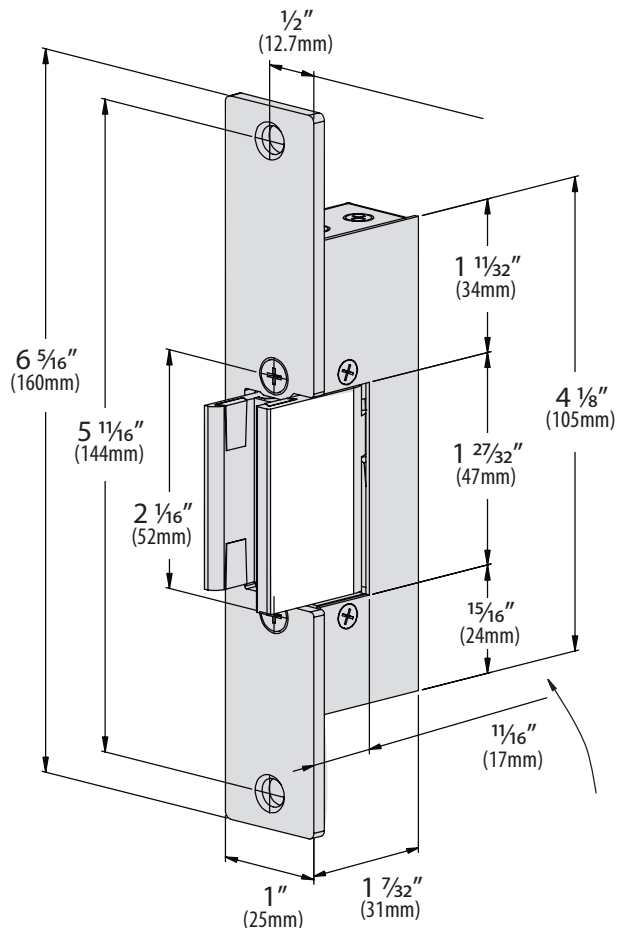


Description:

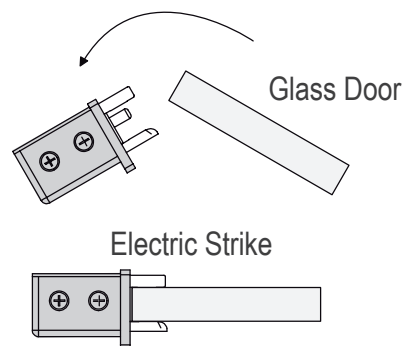
Glass door strikes work with single swing glass doors. The lock is fully reversible for left or right handed doors and can be installed at top or side of door.

Works with 1/2" (12.7mm) glass, special glass thickness model available upon request

- 12 or 24V
- Fail Safe
- Fail Secure



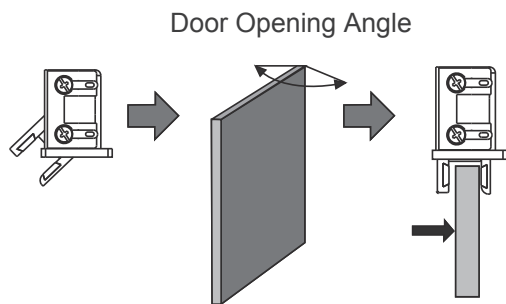
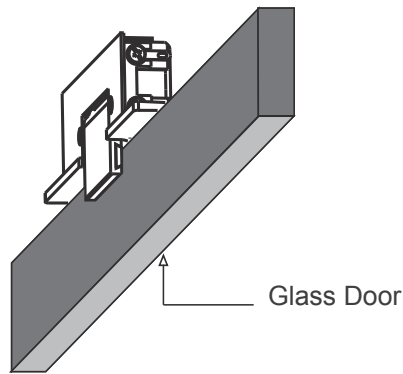
Operation Detail



Technical Features

Height	4 1/8" (105 mm)			FAIL SECURE		FAIL SAFE	
Width	3/4" (20 mm)			CX-EL0955	CX-EL0958	CX-EU0955	CX-EU0958
Depth	1 7/32" (31 mm)			12 VDC	24 VDC	12 VDC	24 VDC
Suits Latches with Maximum Throw of	7/16" (11.2 mm)	Rated Resistance		68	132	70	230
Endurance Cycle Test	200,000	Stabilized DC Current Consumption		180 mA	180 mA	150 mA	120 mA
Holding Force	561 Lbs. (254 Kg.)	Continuously Operating Voltage Range in VDC		11-12 V	23-24 V	11-12 V	23-24 V
Operating Temperature Range	5°F to 104°F (-15°C to 40°C)						

Installation



! For right hand mounting, the panel door must be fully seated into the jaw, applying pressure on the right side.



Questions? Call us toll-free at 1-877-226-3369



Push Buttons



Key Pads



Strikes



Magnetic Locks



Key Switches



Relays & Timers



Access Control