

# WIRELESS 1000 Annunciator System



## RG-10U SINGLE RELAY RECEIVER

This product is only compatible with Wireless 1000 series.

### RG-10U MANUAL

Please read this manual carefully before installation.

### FEATURES

- Compatible with TD-10U (In/Outdoor Sensor Transmitter) & TS-10U (Hand-Held Transmitter)
- Identifies zones (locations) by 3 LED lights
- Preset transmission codes are automatically "learned" by the receiver
- Over 8 million codes possible, eliminates interference from neighbors
- Adjustable duration for dry relay contact output
- Push button switches to select function settings
- Low battery indicator

### CAUTION

#### Please be careful of following:

##### 1. Outdoor Use

The RG-10U is not suitable for outdoor use.

##### 2. High Temperature, High Humidity & Dirty Fumes

Do not expose the RG-10U to high temperatures, steam, high humidity, dirty fumes or oily smoke.

##### 3. Other Electric Devices

Use the RG-10U at least 3ft (1m) away from devices such as TV, radio, personal computer, microwave oven, refrigerator or any device with electric motors (this may cause malfunction).

##### 4. Transmission range may decrease under following conditions.

- A steel door, steel reinforced concrete, or other metal obstructions between the transmitter and the RG-10U.
- Installing either the transmitter or the RG-10U on a metal surface.
- Places near strong radio sources such as broadcast stations or high power lines.

##### 5. Impact/Shock

Do not drop the RG-10U or give it a strong impact/shock.

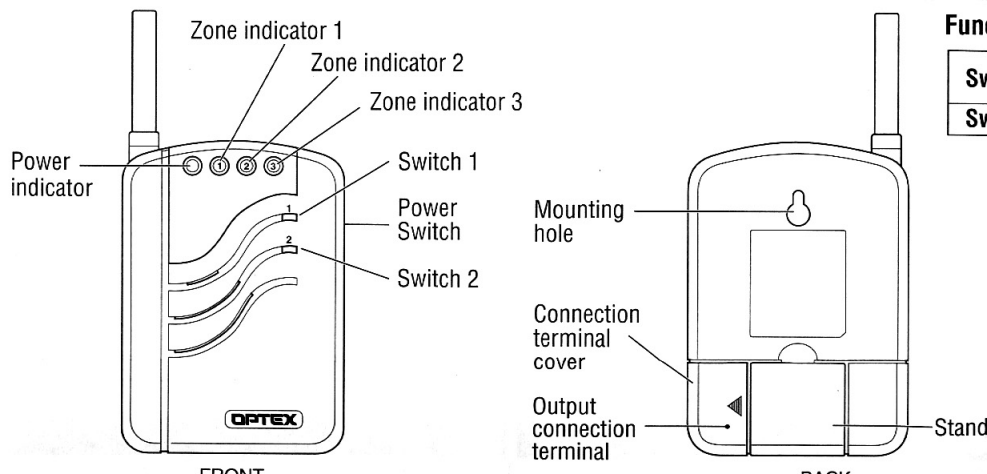
##### 6. Tampering

The changes or modifications not expressly approved by the party responsible for compliment could void the user's authority to operate the equipment.

##### 7. Cleaning

Harsh cleaners such as paint remover or benzene may ruin the surface. Use a soft, wet cloth and mild soap or detergent to clean.

### PART IDENTIFICATION



#### Function

Switch 1	Activating "Learn Mode" and "Output Duration Mode"
Switch 2	Making selection

### MAXIMUM TRANSMISSION RANGE

1000ft. (with TD-10U, open field, line of sight)

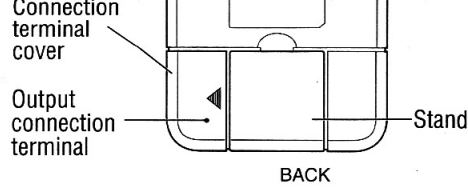
700ft. (with TS-10U, open field, line of sight)

Measurements were made over level ground without obstruction. Natural or man-made obstacles and other environmental factors can interfere with or otherwise reduce transmission range. Always confirm actual transmission range during installation of system. Please use the information below as a reference for transmission performance.

	TD-10U	TS-10U
Stucco/Plaster construction:	150ft	110ft
Reinforced concrete construction:	100ft	70ft



FRONT



BACK



Mounting screw

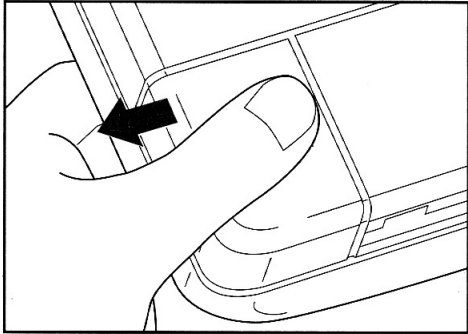
	TD-10U	TS-10U
Stucco/Plaster construction:	150ft	110ft
Reinforced concrete construction:	100ft	70ft

## TERMINAL CONNECTION

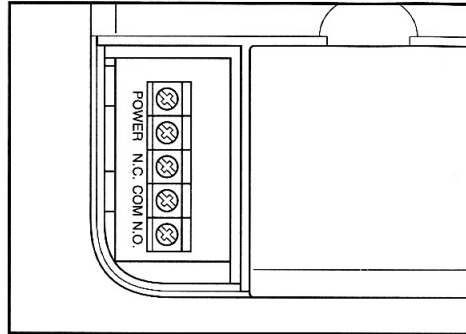
### Power Connection

Use a power source in the following range; 12~24V AC/DC

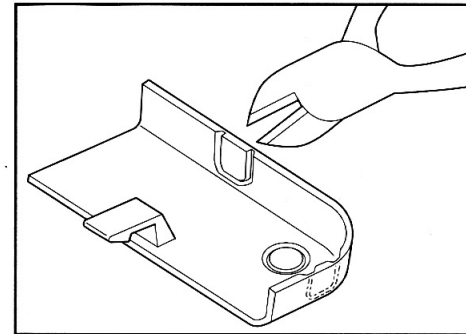
Any device with a zero voltage input terminal can be connected to this terminal. This may include electronic locks, emergency sounding devices, and automatic reporting equipment.



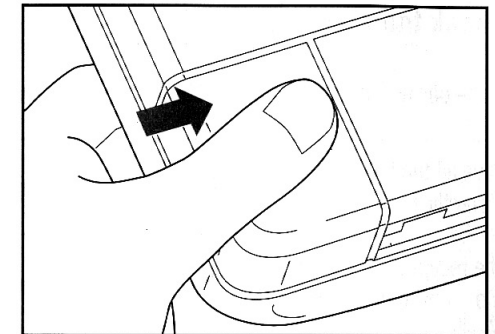
Remove the connection terminal cover



Power terminal is marked "POWER." Use the terminal marked "COM-N.O." for N.O. devices and "COM-N.C." for N.C. devices.



Remove knockouts according to wiring needs.

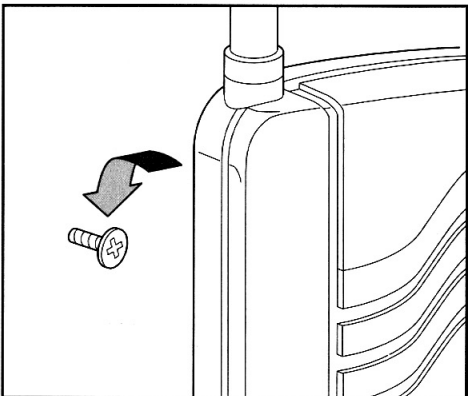


Close the connection terminal cover. The RG-10U may be damaged if the terminals come into contact with metal objects.

### Note:

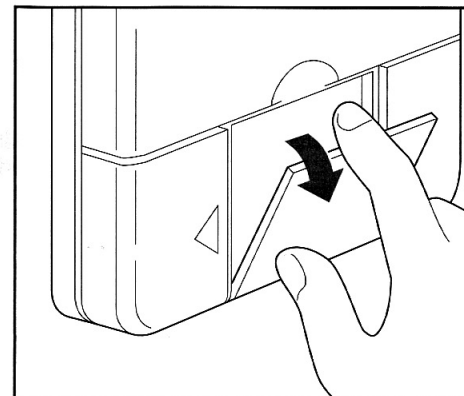
- The RG-10U automatically begins in "Learn" mode when powered-up for the first time. Refer to "TEACH TRANSMITTER CODES TO RECEIVER" for more information.
- Adjust terminal output duration before connecting devices to output terminal(s).

## INSTALLATION



### Mounting On A Wall

Use the mounting screw on a wall. Leave some length of the screw out for the mounting hole of the RG-10U.



### Desk Top

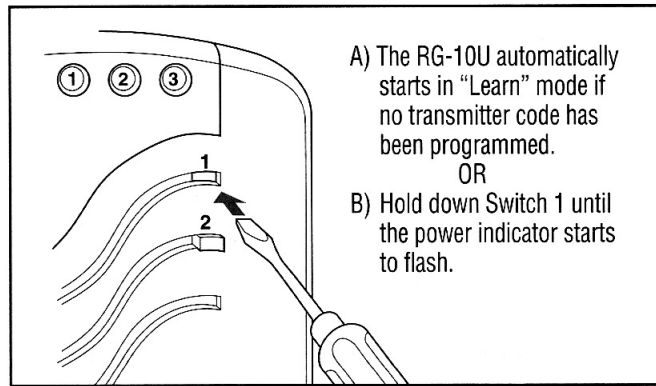
Pull out the stand on the back of the RG-10U and place it on any flat surface.

## TEACH TRANSMITTER CODES TO RECEIVER

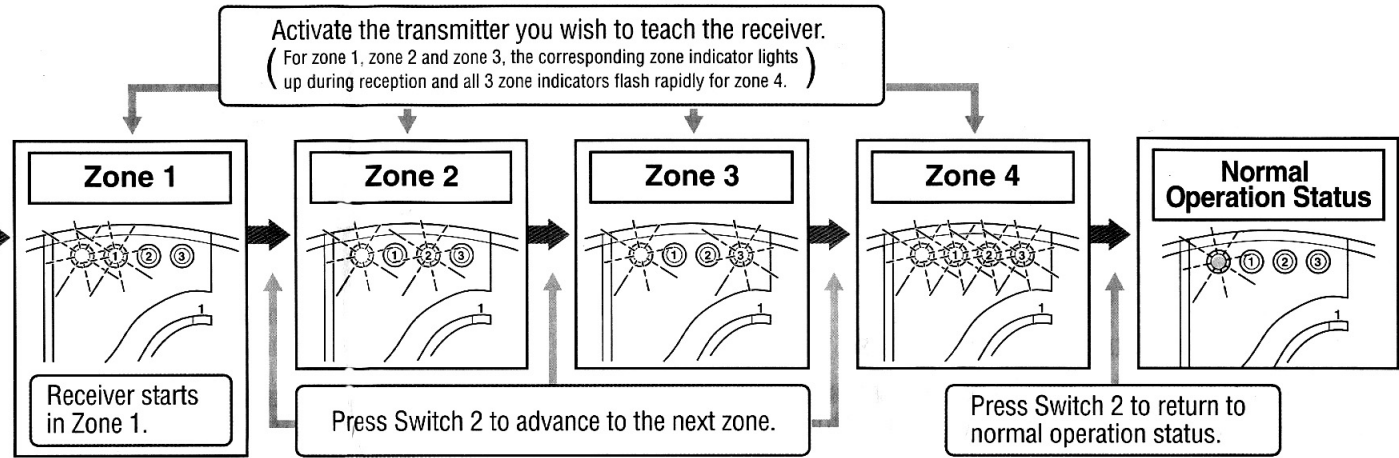
Each transmitter has a unique transmission code which can be automatically “learned” by the RG-10U. The RG-10U’s zones must be taught to respond to the appropriate transmitter. Zone characteristics can be programmed as shown below.

<b>Zone 1:</b>	Timed utility output
<b>Zone 2:</b>	Timed utility output
<b>Zone 3:</b>	Timed utility output
<b>Zone 4:</b>	Continuous terminal output (latches until Switch 2 is pressed to deactivate)

### Activate “LEARN” Mode



### Teach transmitter code to receiver



### Note:

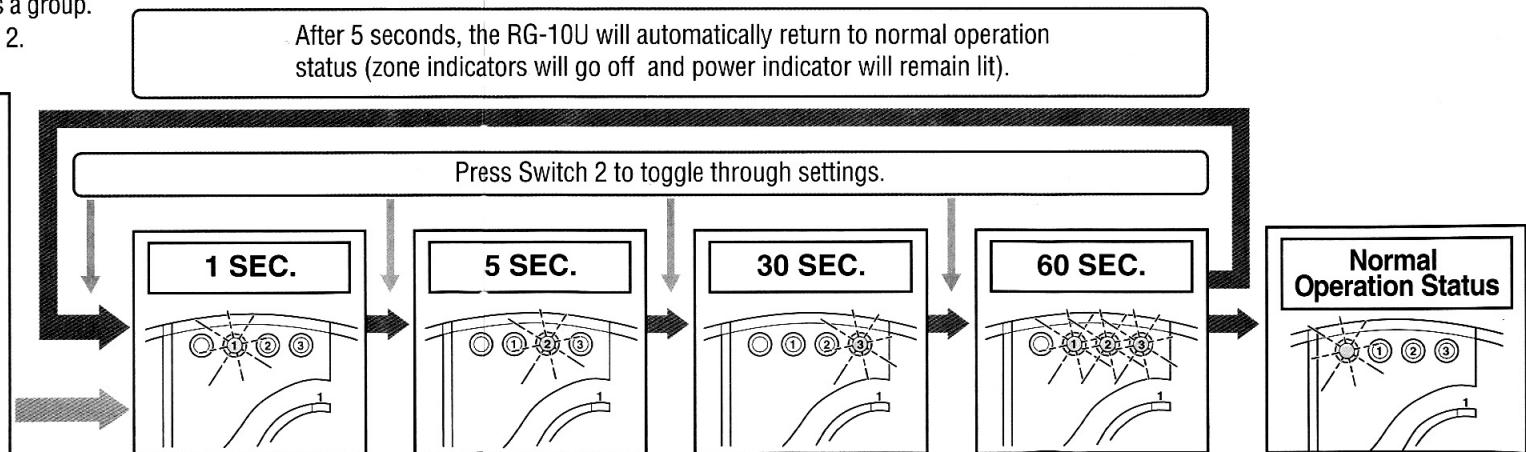
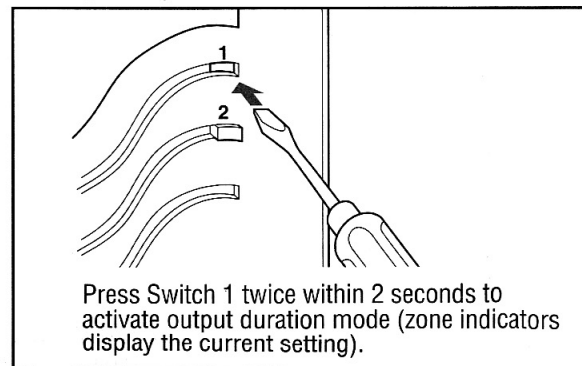
- Return to normal operation status before use.
- Verify that each transmitter has been learned by the receiver by triggering them.
- Each zone can learn only 1 transmitter. If 2 transmitters are activated during the learning process, the transmitter activated last will override the code of the previous transmitter.
- Single transmitter cannot be learned by multiple zones.
- Turning off the devices, or losing power will not affect transmitter or the RG-10U’s code memory.

### Erasing Codes from the RG-10U’s Memory

- 1) Hold down switch 1 until the power indicator starts to flash.
  - 2) Press Switch 2 until appropriate zone indicator is lit.
  - 3) Press Switch 1 (the zone indicator will start to flash).
  - 4) Press Switch 2 few times until the power indicator stops flashing and remains lit.
- (Note: To erase all programming and return to factory setting, turn on power while holding down Switch 1.)

## ADJUSTING THE TERMINAL OUTPUT DURATION

- Terminal output duration can be set for zones 1-3 only as a group. Zone 4 always latches until it is reset by pressing Switch 2.
- Factory setting is 5 sec.



## TROUBLE SHOOTING

### 1. The system is not operating.

#### Check the transmitter.

- Does the status indicator light up when you trigger the transmitter? → Check to see if the battery is inserted correctly.  
 → If the battery is old, replace it with a new one.
- Is the status indicator of the transmitter flashing? → The battery is old. Replace the battery.

#### Check the receiver.

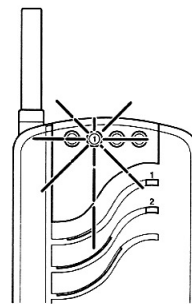
- Is the power indicator of the RG-10U lit? → Is the RG-10U on? Check the wiring and connection.
- Have all the transmitters codes been taught correctly? → Teach the transmitter codes correctly. The system will not operate without this process.
- The reception indicator of the RG-10U is on, but nothing happens. → Check to see whether the terminal is properly connected to other devices.
- Is there anything blocking the transmission? → Relocate the RG-10U and/or the detector. Metal objects can shorten the effective transmission range.
- Are zone indicators flashing slowly? → The battery of the transmitter shown by the zone indicators has low battery. Replace it.

### 2. The system is not operating correctly.

- The RG-10U does not learn transmitter codes. → Check if the transmitter codes is not already "learned" in a different zone. If it is, erase memory and teach again.
- The RG-10U gets reception in a wrong zone. → Erase memory in the zone RG-10U responds and teach using the correct zone.
- The RG-10U does not respond to some of the transmitters. → You may have taught multiple transmitter codes in a same zone. Teach the transmitter code that got no response using an empty zone.
- Certain zone seems to malfunction. → It is probably the transmitter's problem. Check the transmitter that corresponds to that zone.
- Before contacting the supplier! → Go through the setups again after Turning on the power while holding down the Switch 1.

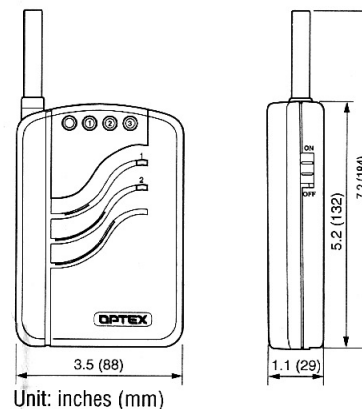
• If above solutions do not work, please contact your supplier for service.

## LOW BATTERY INDICATION



Zone indicators start flashing whenever corresponding transmitters have low battery. Slow flashing of indicators will last until 1) batteries of the transmitter are replaced or 2) Switch 2 is pressed. In this case, replace transmitter batteries even if they are less than 2 years old. You can not activate various adjustment modes in this state, unless Switch 2 is pressed (indicators stop flashing). There is no need to go through adjustments again after replacing batteries.

## DIMENSIONS



## SPECIFICATIONS

Model	RG-10U
Description	Wireless Receiver
Power Source	12~24V AC/DC Standby: 30mA Operating: 80mA
Relay output	Form "C" MAX 1A/50VAC·DC24VAC
Output Timer	Selectable: 1/5/30/60sec
Status Indicator	Power Indicator: Green Zone Indicator: Red x 3
Frequency	418MHz
Operating Temperature	15°F~104°F(-10°C ~+40°C)
Installation Location	Indoor
Weight	4.2oz (120g)
Accessories	Mounting Screw x 1

Specifications may change without notice

## LIMITED TWO-YEAR WARRANTY

- (1) This Wireless Receiver is warranted to the original consumer purchaser to be free from defects in material and workmanship under normal use for two (2) years from the date of purchase. If the product proves to be defective, return it postage prepaid with a copy of your dated sales receipt for repairs or replacement at no charge.
- (2) This warranty is in lieu of any and all other warranties, expressed or implied, including but not limited to any warranty of merchantability or fitness for a particular purpose.
- (3) This warranty is invalid under following conditions
  - Mechanical or electrical modification(s) are performed to the product or it is otherwise altered manually.
  - Product is already been serviced at place(s) other than the manufacturer.
  - It is determined that product malfunction has resulted from improper use or from an accident.
  - A copy of dated sales receipt has not been submitted together with the product to be serviced.



**OPTEX CO., LTD.** (ISO 9001 Certified by LRQA)  
 4-7-5 Nionohama Otsu 520-0801 Japan  
 TEL (077) 524-6047 FAX (077) 522-9022

**OPTEX AMERICA, INC.**  
 1845W. 205th Street Torrance, CA 90501-1501 U.S.A.  
 TEL (310) 533-1500 FAX (310) 533-5910

**OPTEX (EUROPE) LTD.** (ISO 9002 Certified by NQA)  
 Clivemont Road, Cordwallis Park, Maidenhead, Berkshire SL6 7BU U.K.  
 TEL (01628) 631000 FAX (01628) 636311