

CV-500PPK-V.2 Stand-Alone Proximity System Installation Instructions

Package Contents	
1	Varistor
2	#6 x 1/4" Phillips Fit Head self tapping screws
1	Small Jumper



ST2
 1 [] 3 N/C contact RL1 (magnet)
 1 [] 3 N/O contact RL1 (strike)

WARNING
 Do not use a switching power supply because of the interference radiation that may disturb the reading of the badges.

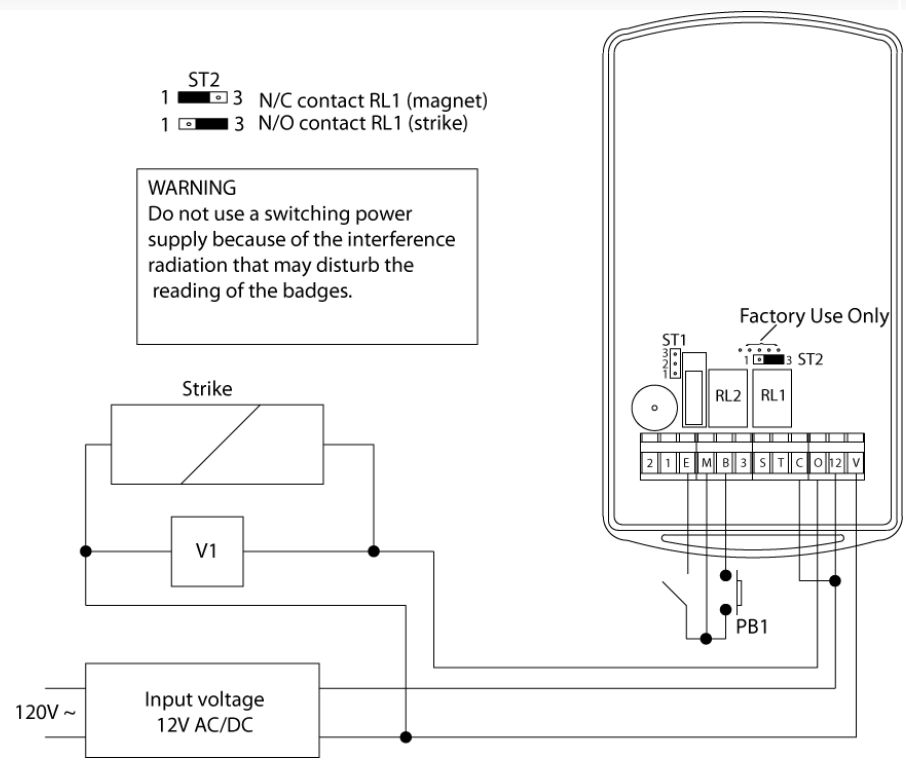


Figure 1 - Wiring Diagram

CV-500PPK-V.2

B	Request-to-exit PB1
E	Alarm Input
M	Common, PB1, E and 4
O	Door Relay N/O or N/C
C	Common
T	Alarm output N/O contact
I1	Anti-tamper switch
V1	Varistor
ST1	
ST2	N/O or N/C Jumper selection Relay 1 (door relay)
RL1	Door Relay
RL2	Alarm Relay

Auxiliary Reader

12	Power Supply
V	Power Supply
1	Data
2	Buzzer
3	Green LED
4	Common M
5	Red LED

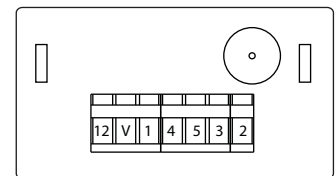
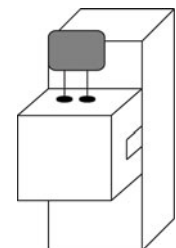


Figure 2 - Auxiliary Reader Connections

This device comes with a varistor.
 The varistor must be connected on the strike terminal (electromagnet...) operated by the device.
 If this product operates more than one strike, each of them should have a varistor.
 The varistor controls the overload produced by the strike coils back emf when power is removed.



Technical Features

Input Voltage	12 V AC/DC
Output	2 relay outputs, N/O & N/C contact 3 A @ 125 V
Anti-Triggering Contact	500 mA 50 V AC/DC
Card	500 programmable cards or badges
PIN Code	500 programmable codes, 4-digit PIN code
Master Code	6-digit programmable code
Input	1 request-to-exit
Keyboard	12-digit keypad with built-in buzzer (audible signal)
Distance between the second reader and the CV-500PPK-V.2	Minimum 24 inches (60 cm) Maximum 165 feet (50 meters) (cable minimum requirement is 7 conductor 22 AWG)

Warning:

Do not use a switching power supply because of radiation interference, which may disturb the reading of the badges.

Default Values

Master Code:	000000
Relay time release:	1 second
Key-in keypad:	10 seconds
Alarm:	OFF

Audible Signals

1 beep (long)	Validation of data in programming mode: master code, master card, user card or time delay. Or authorized access card or Pin code.
2 beeps (long)	Unauthorized access.
4 beeps (short)	Incorrect mode, user number, time entered, data error.
6 beeps (long)	Entering in programming mode. Or exiting from the programming mode.

Visual Signals

LED Color	Normal Mode	Programming Mode
Green	Door relay activated	Code/Badge position empty
Green flashing		Data computing validated
Red	Alarm relay activated	Code/Badge position busy
Red flashing	Proximity badge validated	
Orange flashing	Stand-by	Data computing error

Request-to-exit

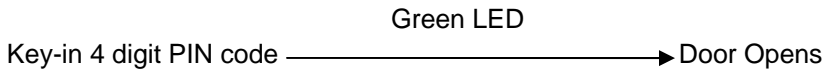
The request-to-exit push button PB1 operates relay RL1.

The LED turns green when the relay is activated.

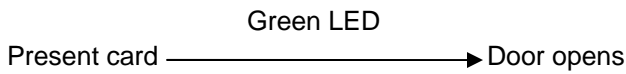


Open Door Procedure

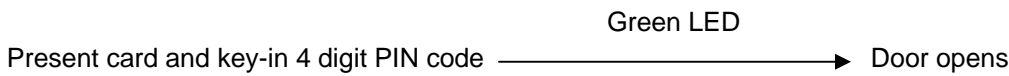
A. *Open the door using the PIN code*



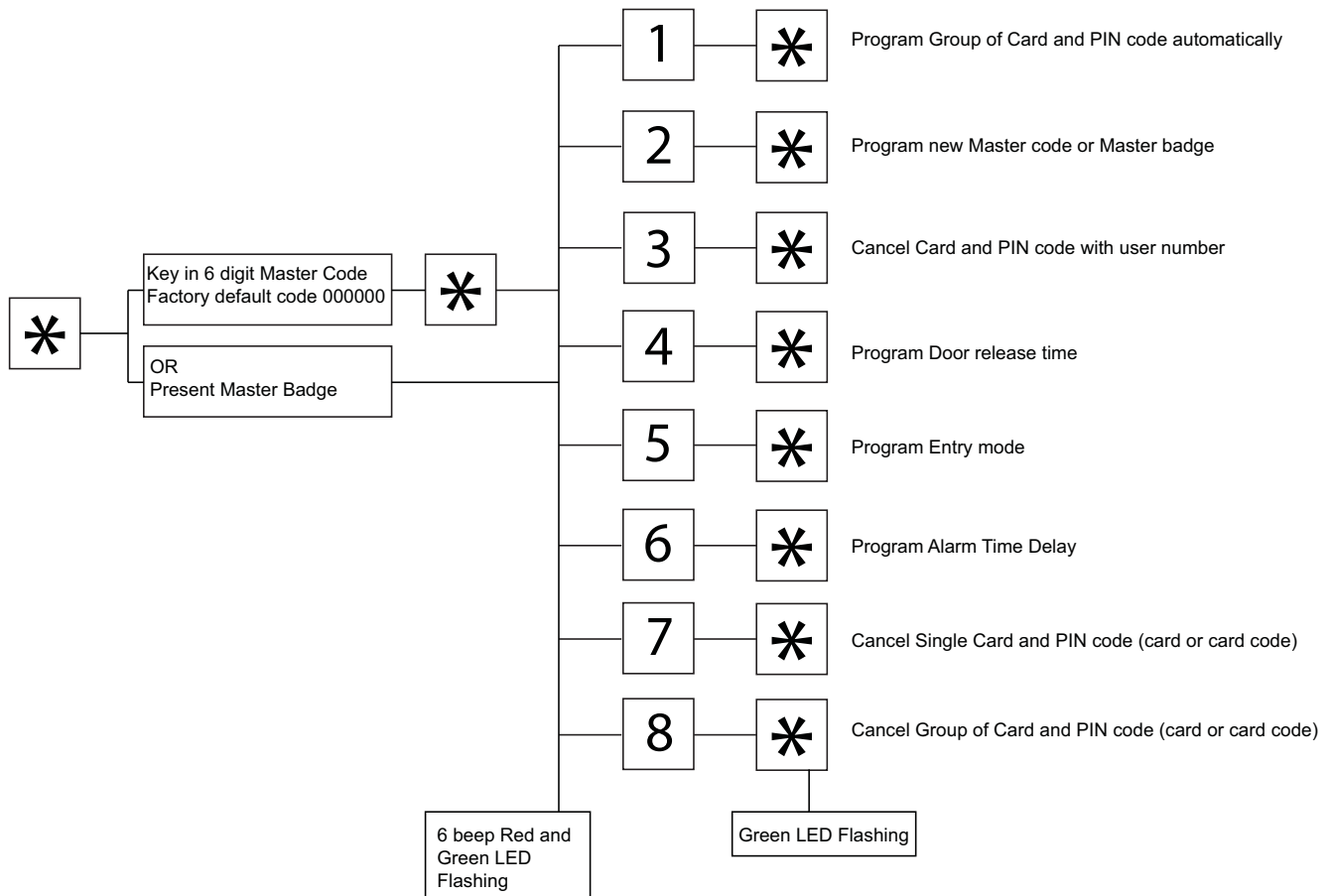
B. *Open door with proximity card*



C. *Open door with PIN code and proximity card*



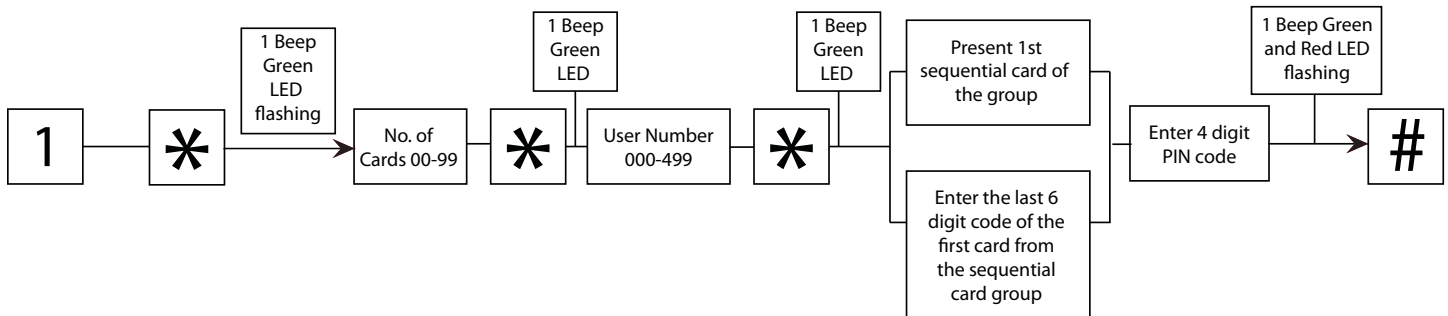
MENU and Programming Procedure



Program Group of Card and PIN Code

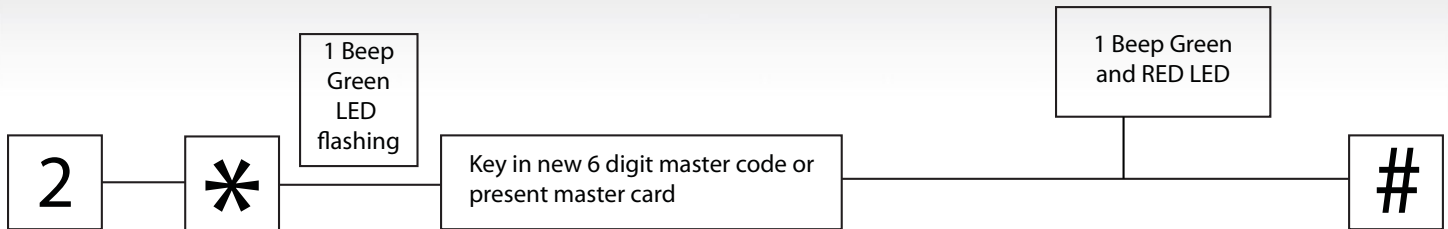
1. Press *.
2. Enter the 6 digit master code (for the first use, the master code default is 000000).
3. Press * or present the Master Card. 6 audible beeps are emitted and the LED flashes green and red to confirm entry into programming mode.
4. Press 1, then * to program a sequential group of card + PIN code. 1 audible beep is emitted and the LED flashes green.
5. Enter the number of cards to program, to a maximum of 99 Cards and Pin codes programmable in one group.
6. Press *. 1 audible beep is emitted and the LED stops flashing.
7. Enter the user number and then press * to confirm. The first sequential card will start from the user number entered. 1 audible beep is emitted and the LED lights in green. If one of the user number is unavailable, the LED flashes orange and 4 audible beeps are emitted, then the LED lights in green.
8. Present the first card in front of the CV500PPK-V.2 reader and enter the 4 digit Pin cod. 1 beep is emitted and the LED flashes green and red. Or enter the last 6 digit code (decimal number) of the first card from the sequential card group and press *, then enter the 4 digit Pin code. 1 beep is emitted and the LED flashes green and red.
9. Press # to exit from the programming mode. 6 beeps confirm the reader is in standby mode.

NOTE: The card and pin code programming done by CV-500PPK-V.2 is using an incremental method.



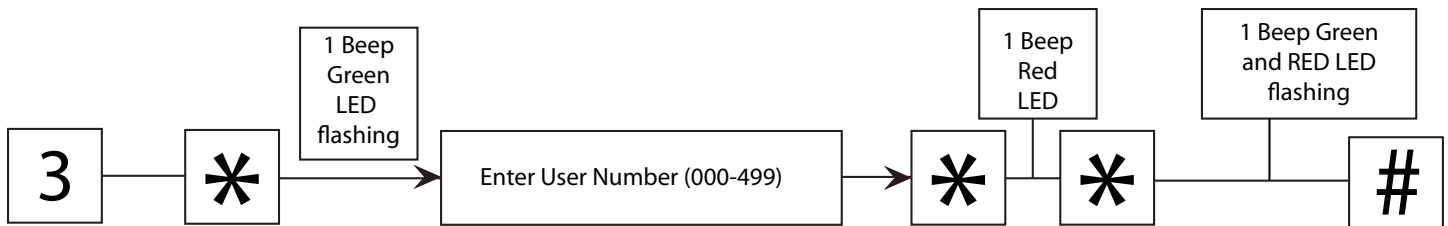
Program New Master Code or Master Badge

1. Press *.
2. Enter the 6 digit master code (for the first use, the master code default is 000000).
3. Press * or present the Master Card. 6 audible beeps are emitted and the LED flashes green and red to confirm entry into programming mode.
4. Press 2. Then * to enter in the master code or a master card menu. 1 audible beep is emitted and the LED flashes green.
5. Enter the new 6 digit master code or present a master badge. 1 beep is emitted and the LED lights green and red.
6. Press # to exit from the programming mode. 6 beeps confirm the reader is in standby mode.



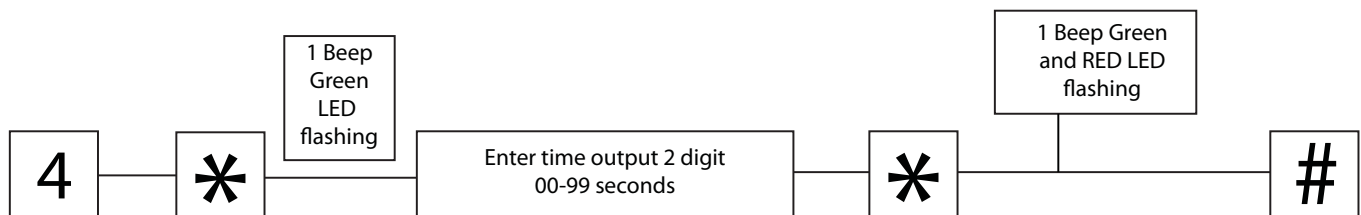
Cancel Card and PIN Code With User Number

1. Press *.
2. Enter the 6 digit master code (for the first use, the master code default is 000000).
3. Press * or present the Master Card. 6 audible beeps are emitted and the LED flashes green and red to confirm entry into programming mode.
4. Press 3, then * to enter in the cancel card and pin code menu. 1 audible beep is emitted and the LED flashes green.
5. To delete a card and Pin code, enter the 3 digit user number.
6. Press the * key twice (**). 1 audible beep is emitted and the LED flashes green and red.
7. Press # to exit from the programming mode. 6 beeps confirm the reader is in standby mode.



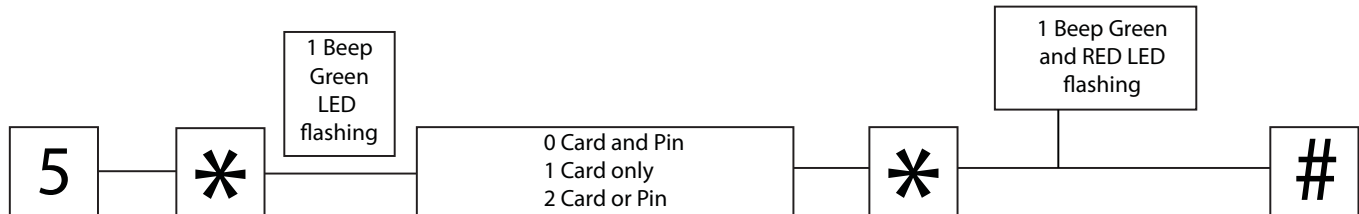
Program Door Release Time

1. Press *.
2. Enter the 6 digit master code (for the first use, the master code default is 000000).
3. Press * or present the Master Card. 6 audible beeps are emitted and the LED flashes green and red to confirm entry into programming mode.
4. Press 4, then * to enter into the door release time menu. 1 audible beep is emitted and the LED flashes green.
5. Enter the 2 digit door release time from 01 to 99 seconds. Enter 01 for second up to 99 for 99 seconds.
6. 00 sets a latched output (toggle on/off) then press the * to confirm. 1 audible beep is emitted and the LED flashes green and red.
7. Press # to exit from the programming mode. 6 beeps confirm the reader is in standby mode.



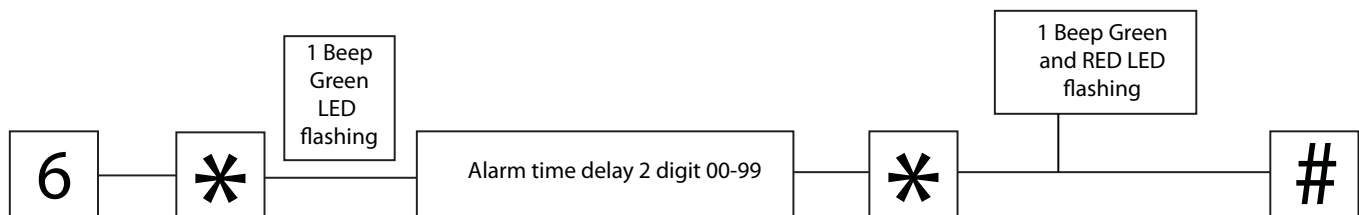
Program Entry Mode

1. Press *.
2. Enter the 6 digit master code (for the first use, the master code default is 000000).
3. Press * or present the Master Card. 6 audible beeps are emitted and the LED flashes green and red to confirm entry into programming mode.
4. Press 5, then * to enter into the entry mode menu. 1 audible beep is emitted and the LED flashes green.
5. To program an entry mode press 0 for Card and PIN code. Press 1 for Card only or press 2 for Card or PIN code.
6. Press * to confirm. 1 audible beep is emitted and the LED flashes green and red.
7. Press # to exit from the programming mode. 6 beeps confirm the reader is in standby mode.
- 8.



Program Alarm Time Delay

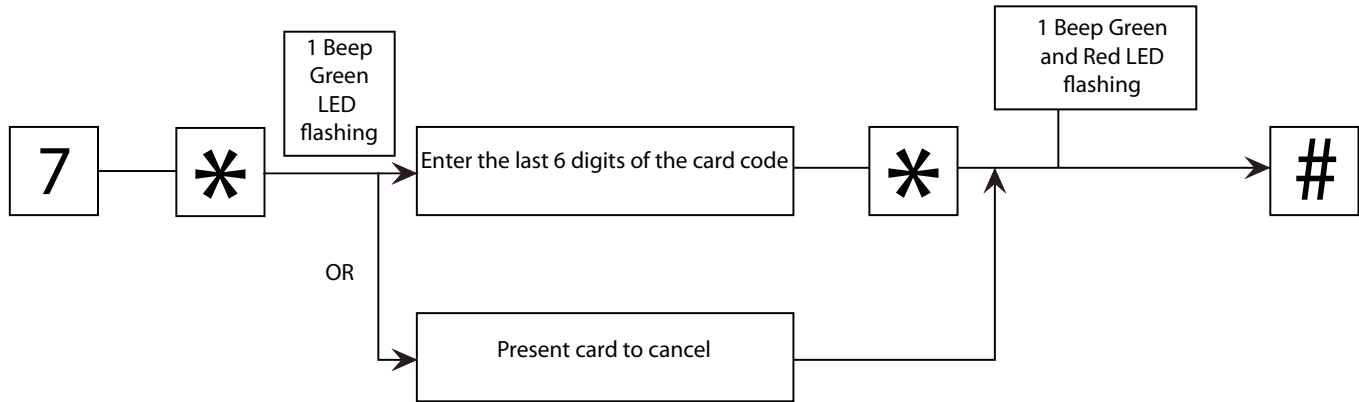
1. Press *.
2. Enter the 6 digit master code (for the first use, the master code default is 000000).
3. Press * or present the Master Card. 6 audible beeps are emitted and the LED flashes green and red to confirm entry into programming mode.
4. Press 6, then * to enter into the alarm time delay menu. 1 audible beep is emitted and the LED flashes green.
5. To program the alarm time delay, enter the 2 digit number from 01 to 99. The number is multiplied by 10 seconds. 01 equals 10 seconds and 99 equals 990 seconds. Enter 00 to turn off the alarm.
6. Press * to confirm. 1 audible beep is emitted and the LED flashes green and red.
7. Press # to exit from the programming mode. 6 beeps confirm the reader is in standby mode.



Cancel Single Card and PIN code (using card or card code)

1. Press *.
2. Enter the 6 digit master code (for the first use, the master code default is 000000).
3. Press * or present the Master Card. 6 audible beeps are emitted and the LED flashes green and red to confirm entry into programming mode.
4. Press 7, then * to enter into the cancel single card and PIN code menu. 1 audible beep is emitted and the LED flashes green.

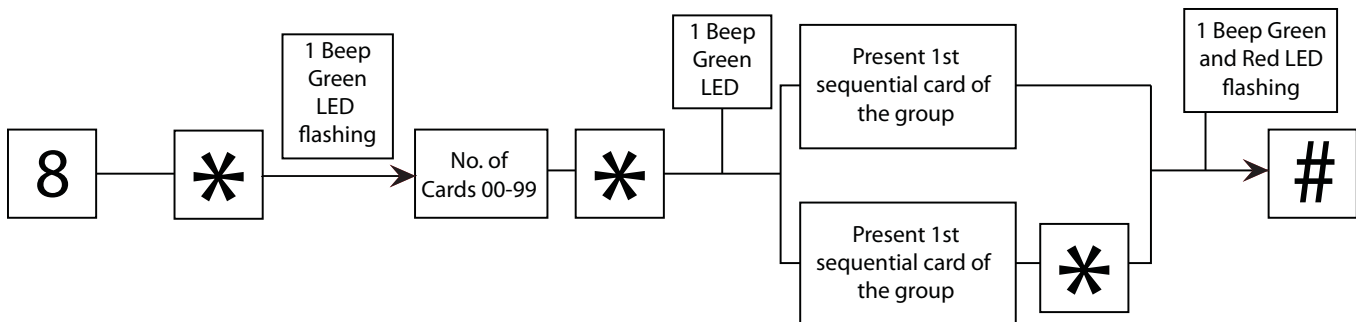
- To cancel the card and the PIN code enter the 6 digit number of the card and press * to confirm or present the card to cancel. It is not necessary to press the * when presenting the card. 1 audible beep is emitted and the LED flashes green and red.
- Press # to exit from the programming mode. 6 beeps confirm the reader is in standby mode.



Cancel Group of Card and PIN Code (card or card code)

- Press *.
- Enter the 6 digit master code (for the first use, the master code default is 000000).
- Press * or present the Master Card. 6 audible beeps are emitted and the LED flashes green and red to confirm entry into programming mode.
- Press 8, then * to enter inot the cancel group of card + Pin code menu. 1 audible beep is emitted and the LED flashes green.
- Enter the number of cards to cancel to a maximum of 99 Cards and Pin codes.
- Press *. 1 audible beep is emitted and the LED stops flashing.
- Present the first card from the sequential card group in front of the CV-500PPk-V.2 reader. 1 beep is emitted and the LED flashes green and red. Or enter the last 6 digit code (decimal number) of the first card from the sequential card group and press*. 1 audible beep is emitted and the LED flashes green and red.
- Press # to exit from the programming mode. 6 beeps confirm the reader is in standby mode.

Note: The card and Pin code programming done by the CV-500PPK-v.2 is using an incremental method.



Wiring Diagram of Auxiliary Reader

CV-500PPK-V.2	Aux. Reader	
	12	Power supply
	V	Power supply
1	1	Data
2	2	Buzzer
3	3	Green LED
M	4	Common
5	5	Red LED

It is recommended to use a separate Power supply for the auxiliary reader

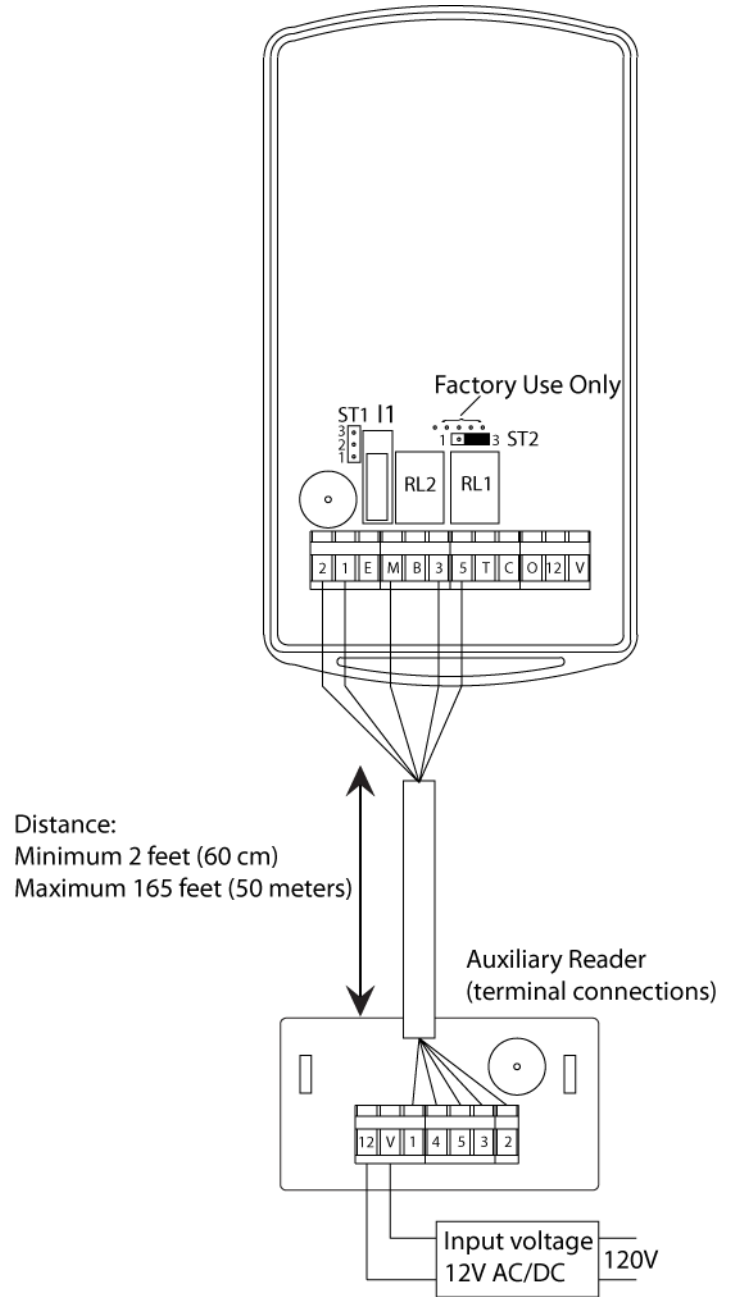


Figure 3 - Auxiliary Reader Wiring Diagram

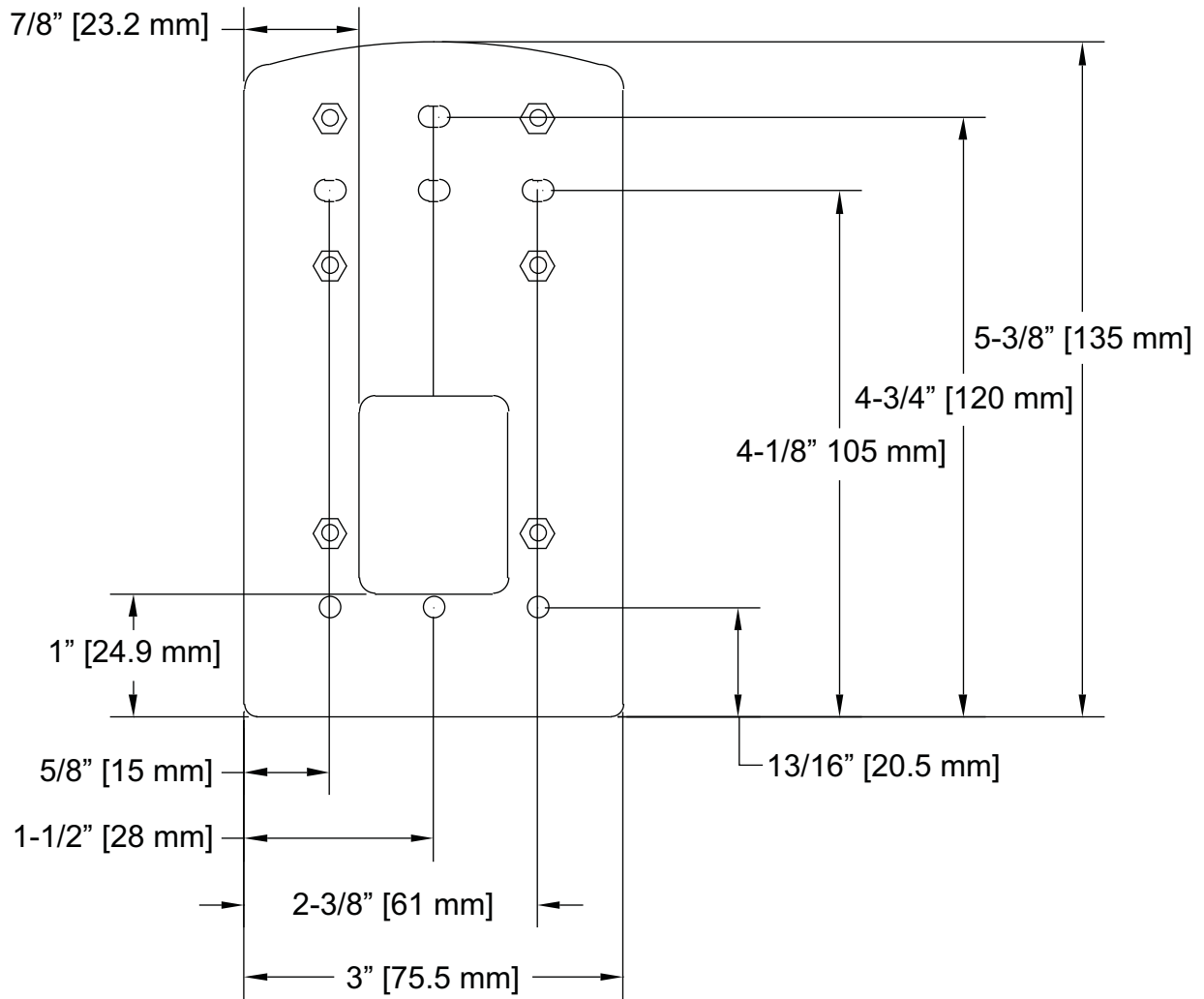


Figure 4 - CV-500PPK-V.2 Mounting Bracket Template

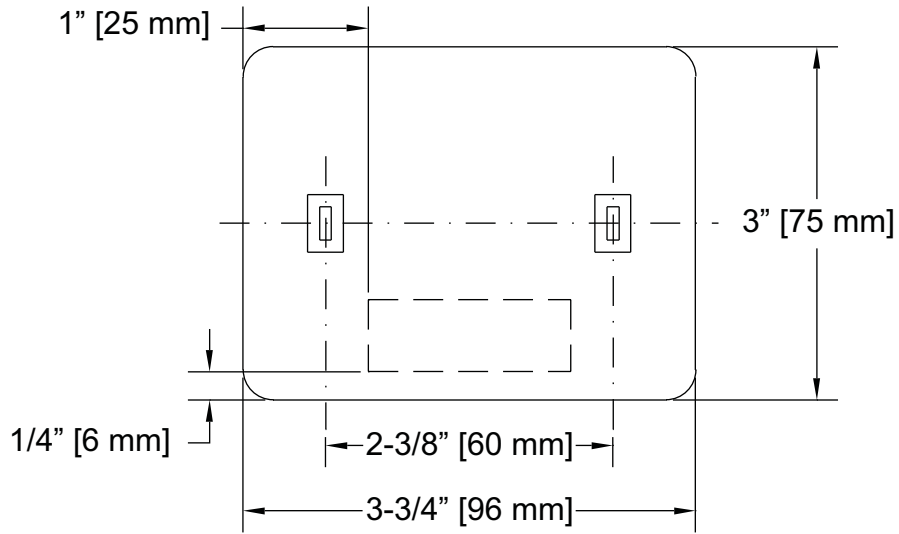


Figure 5 - Auxiliary Reader Template

