

Magnetic Door Holders

CX-95S-DH Magnetic Door Holder

INSTALLATION INSTRUCTIONS

THIS PACKAGE INCLUDES:

- 1 x Door holder
- 1 x Armature Plate
- 4 x Wall Plugs
- 1 x Hex Key
- 6 x M4 Self Tapping Screws
- 1 X Manual



UL LISTED
UL 10C
UL 228
ULC/ORD-C228-05

1. GENERAL DESCRIPTION

The Camden CX-95S-DH Magnetic Door Holder is designed for virtually any remote door release application. The UL-listed Camden Magnetic Door Holders control the release and closing of commercial and public area doors, including apartments, schools, hotels, hospitals, and offices. Fail-safe operation, tri-volt coils, and an adjustable armature plate allow for easy and flexible installation. Camden magnetic door holders may be surface or flush mounted, with all mounting hardware included in the kit.

2. SPECIFICATIONS

Operating Voltage	12V		24V		120V	
Supply	AC	DC	AC	DC	AC	DC
Current Draw	55mA	57mA	32mA	34mA	30mA	-
Holding Force	Up to 30 lbs.		Up to 35 lbs.		Up to 18 lbs.	
Mount Options	Surface or Flush mount					
Dimensions	<p>Surface mount Magnet: 2-3/4" W x 4-5/8" L x 2-1/2" D (70mm x 116mm x 62mm)</p> <p>Flush mount Magnet: 2-3/4" W x 4-5/8" L x 1-3/4" D (70mm x 116mm x 44mm)</p> <p>Armature: 2-9/16" W x 2-9/16" L x 2-7/8" D (65mm x 65mm x 74mm)</p>					

3. DIMENSIONS

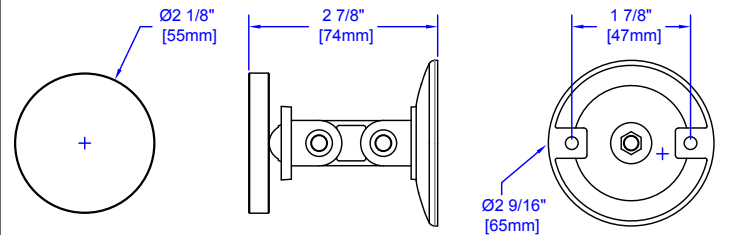


Figure 3.1 Armature Plate

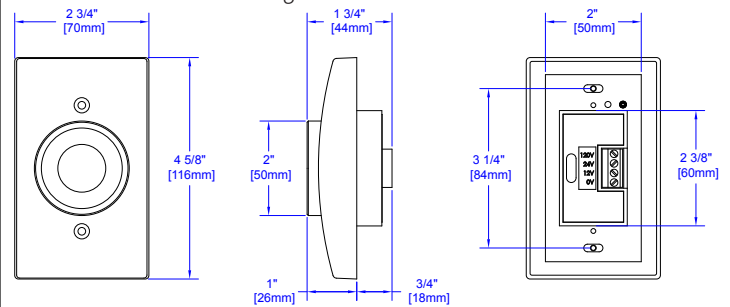


Figure 3.2 Flush Mount

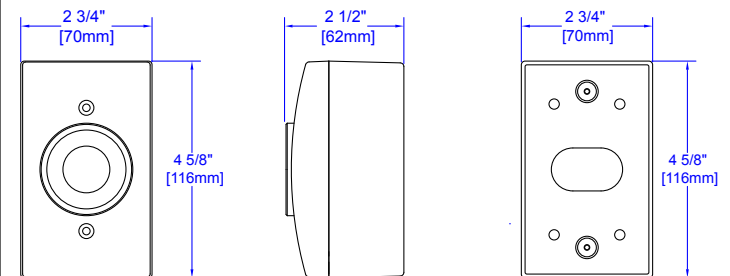


Figure 3.3 Surface Mount

4. INSTALLATION

- Decide on the location for both the Magnetic Door Holder and the Armature Plate.
- Select the voltage for the Door Holder by setting the jumpers (two jumpers for 12VAC/VDC, or one jumper for 24VAC/VDC or 120VAC) (See Figure 4.3).

Surface Mount Magnetic Door Holder:

- Use a pencil to mark the position for the mounting holes.
- Drill holes at the marked positions using a 15/64" drill bit and insert the provided wall plugs.
- Align the magnetic door holder back box with the holes and let the connecting wires pass through the center hole of the back box.
- Secure the back box using the four M4 self-tapping screws provided in

the part kit.

- Connect the wires according to the wiring diagram shown in figure 4.2.
- Attach the magnetic door holder to the back box using the two M3x6 Phillips head screws provided.
- Finally, attach the faceplate using the two M3x20 Phillips flat head screws.

Flush Mount Magnetic Door Holder

- Connect the wires according to the wiring diagram as shown in Figure 4.2.
- Mount the magnetic door holder using the two M3x6 Phillips head screws provided.
- Attach the faceplate using two M3x20 Phillips flat head screws.

CX-95S-DH Maglock Door Hold

INSTALLATION INSTRUCTIONS

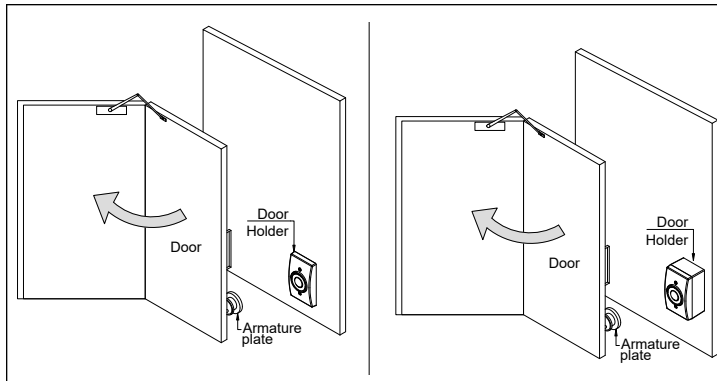


Figure 4.1 Installation of Magnetic Door Holder

Armature Plate

13. Mark the location of armature on the door, making sure it lines up with the door holder (extensions are available if needed.) (See Figure 4.2).
14. Drill holes at the marked positions using a 1/8" drill bit and mount the armature using M4 Self-tapping screws.
15. Double-check all connections and mountings to make sure the installation is complete.

Important: The wiring connections must match the voltage jumper settings and the supplied voltage.

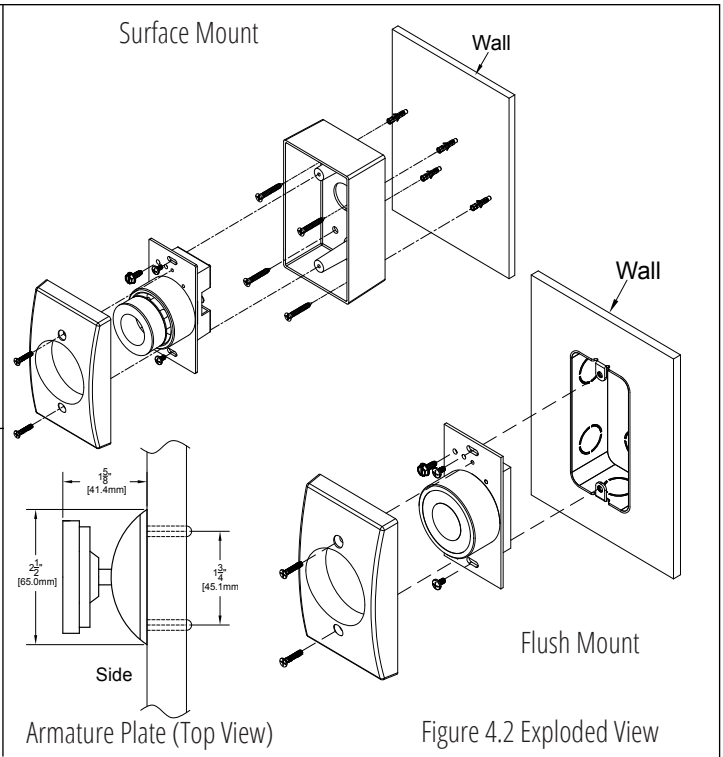


Figure 4.2 Exploded View

5. WIRING

Set the voltage using the jumpers as in figure 5.1.

NOTE: The factory default is 24VDC. To avoid personal injury or damage to the product, ensure that the jumper setting matches the wiring connections and the supplied voltage. Improper settings/wiring will void the warranty and Camden will not be responsible for any resulting injury.

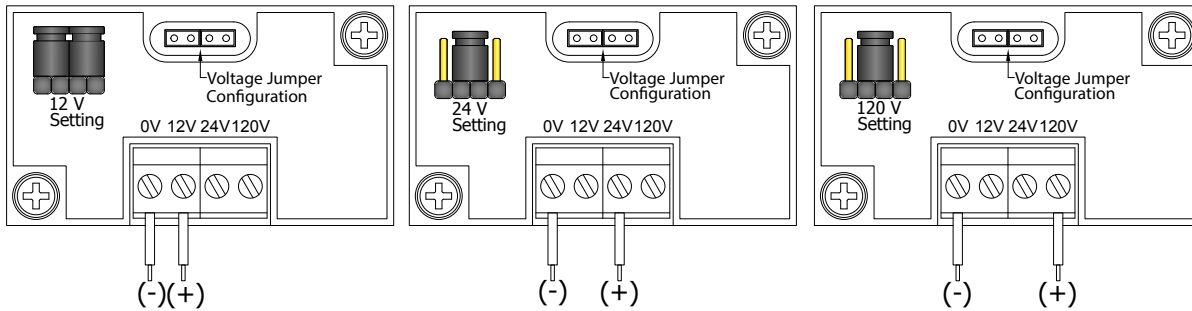


Figure 5.1 Wiring Diagram

Important note for 120 V Setting

- When utilizing a 120 V AC power source, it is essential to securely attach the ground wire to the designated electrical grounding screw, as illustrated in Figure 5.2.

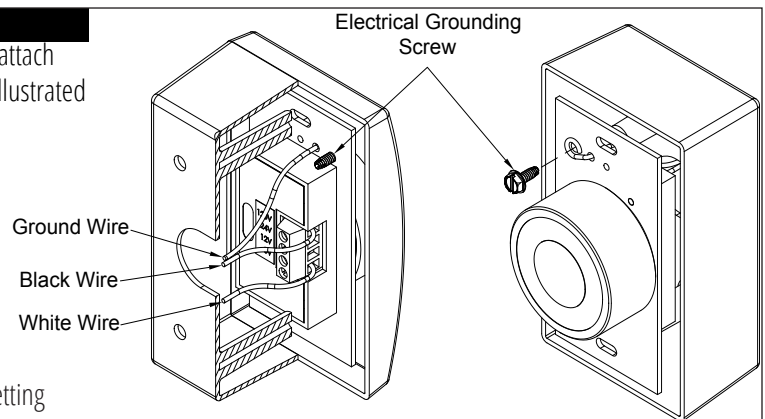


Figure 5.2 Connection with Grounding Screw connection for 120V AC Setting