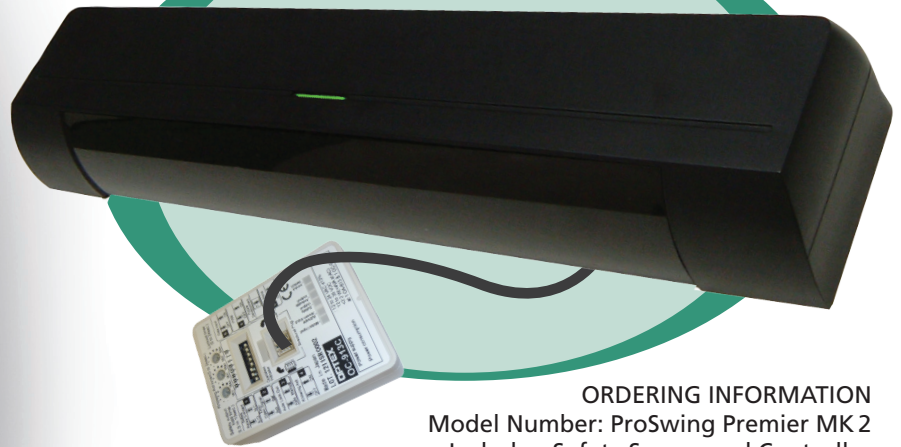




## Swing Door Presence Sensor

**PRO SWING PREMIER MK2**



ORDERING INFORMATION  
Model Number: ProSwing Premier MK2  
Includes: Safety Sensor and Controller

**Retrofit Solution Focused Reflective Infrared Technology**  
**Unique 4-Memory positions** Easy Installation  
Reduced Service Calls Increased Reliability

The OPTEX ProSwing Premier MK2 is designed to detect moving or stationary people in the swingpath of the door. The OPTEX ProSwing Premier MK2 provides Premier Safety and Premier Style all of the time!



## Universal Compatibility

The Premier Mk2 can interface with just about any and all existing controls by analyzing both data output and motor voltage. One overhead presence sensor for all of your new and service applications.

## Easy Trouble Shooting

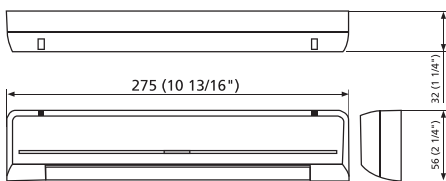
Additional diagnostic LEDs have been added to make troubleshooting quick and easy. During initial installation or during a service call.

## Built in Secondary Activation Module Function

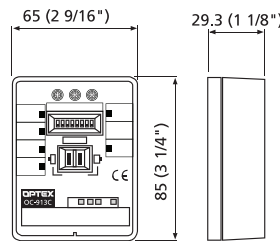
No need to purchase a separate SAM module. The function of Secondary Activation is built-in. Added convenience and less parts.

## 4 -Pattern Memory

Four pattern memory (two full open and two full closed) is provided to reduce or eliminate unwanted safety/relearn issues common to double swing doors caused by manual usage in knowing act environments (most commonly hospital corridors).



OA-613 dimensions



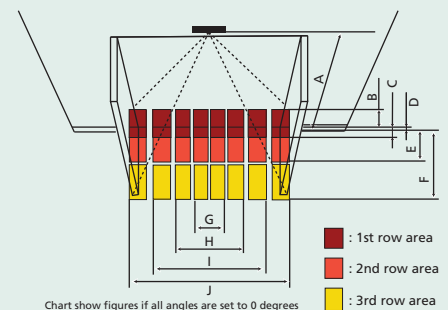
OC-913C dimensions

## Swing Door Presence Sensor

|                        |  |   |
|------------------------|--|---|
| <b>Specifications</b>  | Model (System name)                        | Premier MK2   |
|                        | Power supply                               | 12–24 VAC ±10% (50/60 Hz); 12–30 VDC  |
|                        | Power consumption                          | <2.2W (<4VA at AC) at 1 OA-613 & 1 OC-913C  |
|                        | Output*                                    | CMOS. Relay Voltage / 5 VDC   |
|                        | Output hold time                           | 0.5 sec. fixed (Activate output) 0.5-10 sec. (Safety output)  |
|                        | Response time                              | <0.3 sec.   |
|                        | Operating temperature                      | -4 to 131°F w/o dew condensation  |
|                        | Operating humidity                         | <80%  |
|                        | Accessories                                | 1 Spec manual; 1 Installation manual; 2 Mounting screws; 1 Mounting Template for OA-613; 1 Communication cable 1m (3'3"); 1 Wiring cable 0.6m (2'); 1 Velcro tape; 2 Wiring shells; 1 Connection matrix |
|                        | Model (sensor head)                        | OA-613  |
| Cover color            | Black                                      |   |
| Mounting height        | 2.0m (6'7") to 2.5m (8'2")                 |   |
| Detection area         | See <b>Detection Area</b>                  |   |
| Detection method       | Active infrared reflection**               |   |
| Depth angle adjustment | 1st row area ±5°; 2nd and 3rd row area ±5° |   |
| IP Rate                | IP44                                       |   |
| Weight                 | 230g (8.1 oz.)                             |   |
| Model (Controller)     | OC-913C                                    |   |
| Weight                 | 65g (2.3 oz.)                              |   |

**ORDERING INFORMATION**  
 Model Number: ProSwing Premier MK2  
 Includes: Safety Sensor and Controller

### Detection Area Chart



|                   |       |        |        |
|-------------------|-------|--------|--------|
| Mounting Height A | 6' 7" | 7' 3"  | 8' 2"  |
| Area Depth B      | 1' 2" | 1' 4"  | 1' 6"  |
| Area Depth C      | 7"    | 8"     | 1' 6"  |
| Area Depth D      | 1"    | 1"     | 1"     |
| Area Depth E      | 2' 2" | 2' 5"  | 2' 9"  |
| Area Depth F      | 4' 7" | 5' 1"  | 5' 9"  |
| Area Width G      | 2' 3" | 2' 6"  | 2' 10" |
| Area Width H      | 4' 4" | 4' 9"  | 5' 5"  |
| Area Width I      | 6' 9" | 7' 5"  | 8' 5"  |
| Area Width J      | 9' 5" | 10' 4" | 11' 9" |

The actual detection may become smaller depending on the ambient light, the color / material of the object or the floor as well as the entry speed of the object.



3882 Del Amo Blvd, Suite 604  
 Torrance CA 90503  
 Ph 310 214-8644  
 Fax 310 214-8655  
 Toll free 800 877-6656  
 www.ot-inc.com

Optex Technologies Inc.  
 (East Coast Office)  
 8510 McAlpine Park Dr.  
 Suite 108  
 Charlotte, NC 28211

