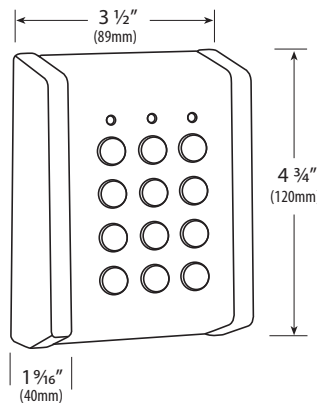


CV-710SL
Installation Instructions

Features

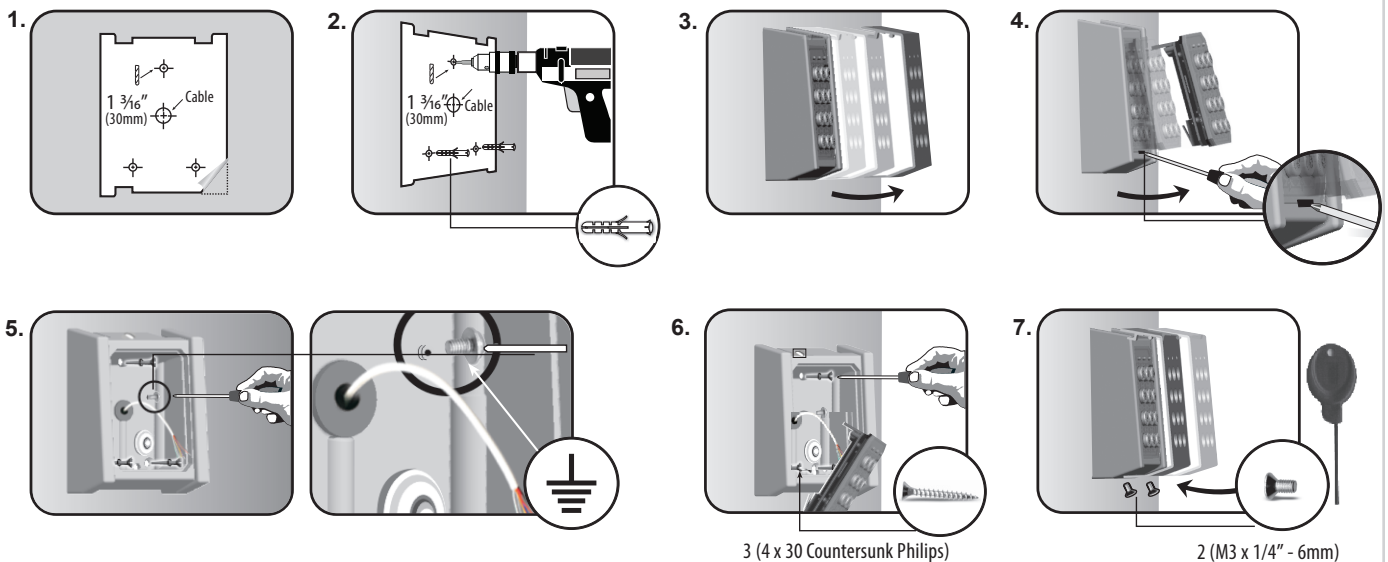
- Multi protocol peripheral keypad
- Operates on 12V DC
- Indoor/outdoor use
- Compatible with **WIEGAND 26, 30, 34, 40 bit, Clock & Data**
- Red, Green and Orange LED's
- Audible and visual feedback
- Current Consumption: 30 mA
- Backlit keys
- Selectable PIN Code length
- Dustproof and waterproof (IP65)
- Operating Temperature: -4°F to +122°F
(-20°C to +50°C)



This Package Includes:

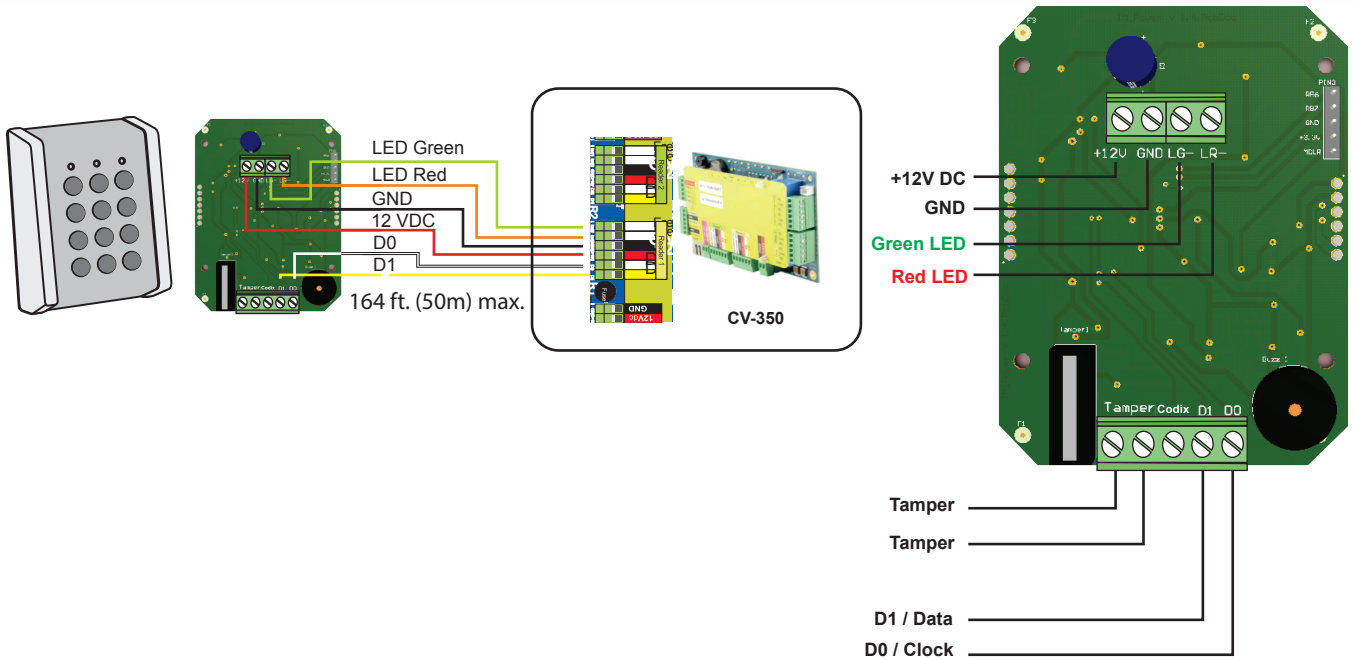
- 1 x CV-710
- 1 x Mounting Template
- 1 x Keypad Housing
- 2 x Resistors
- 2 x Diodes
- 2 x Varistors
- 1 x Security Hex Key
- 4 x Tamper Resistant Hex Screw
- 3 x Wall Anchors
- 3 x Wall Mounting Screws

Mounting

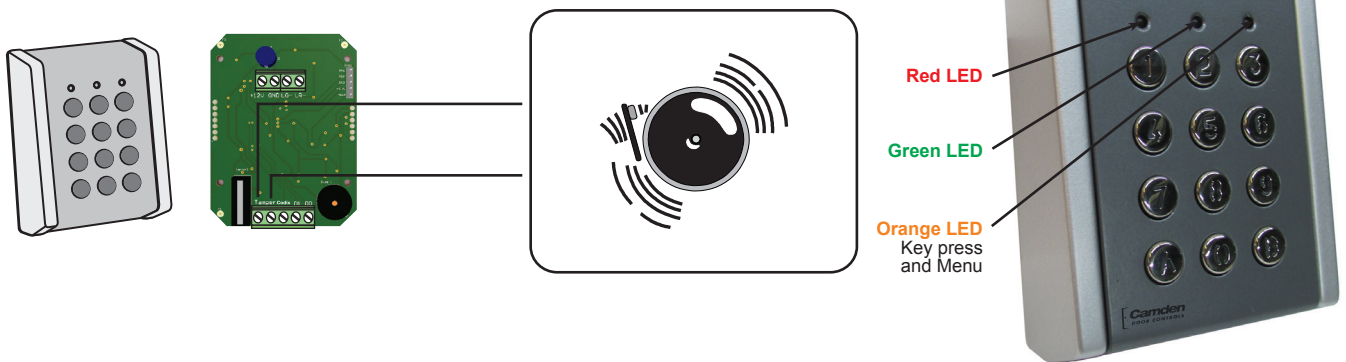


Connections

Wiegand Connection

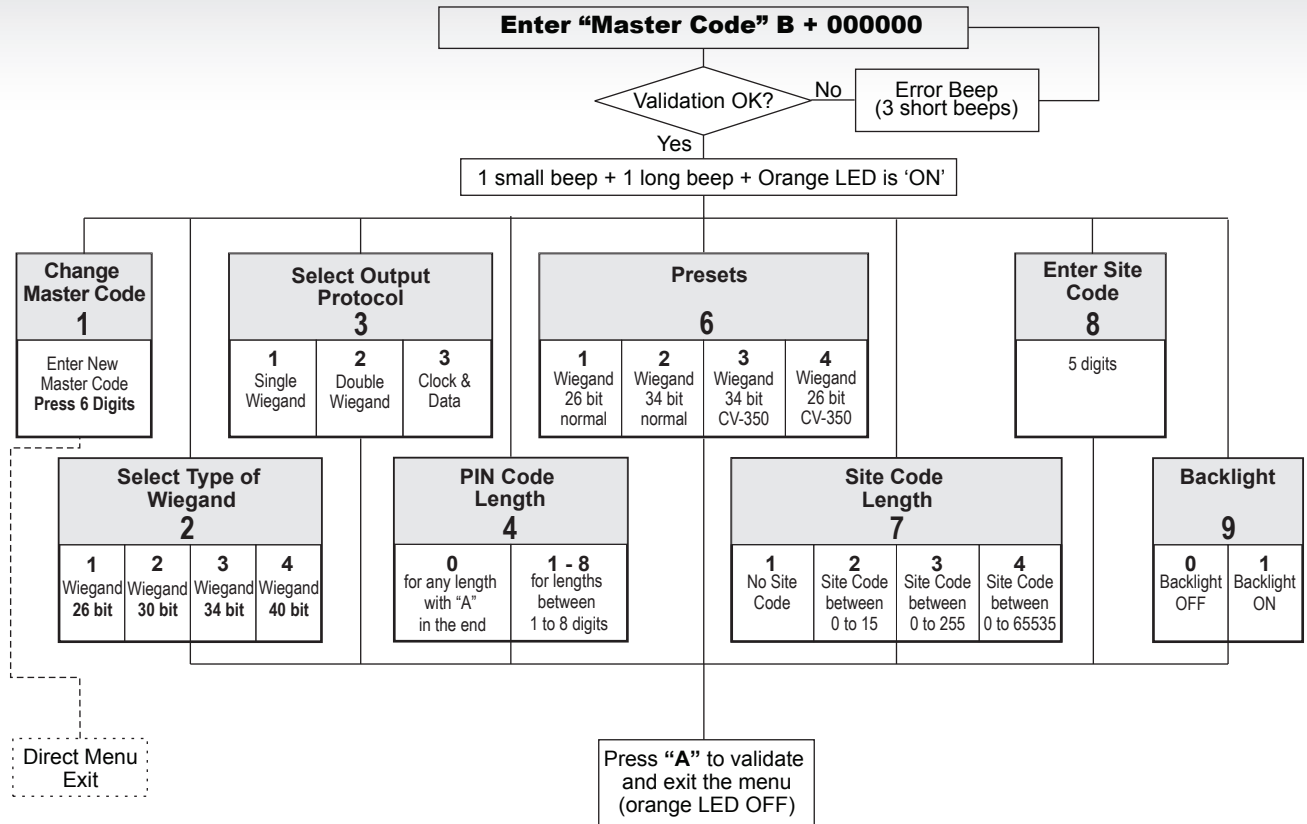


Tamper



Reset the Master Code

1. Disconnect Power
2. Press and hold **"A"** and reconnect Power.
3. Hold the **"A"** Key for at least 3 seconds.



Entering Menu is always done with B + 000000 if the Master Code is not changed.

Submenu 1 - Change Master Code. The Master Code must be 6 digits. After enrolling new Master Code the CV-710SL automatically exits the Menu and the new master code must be typed to enter the menu.

Submenu 2 - Select Type of Wiegand. The Keypad can be adjusted to send 4 different Wiegand Outputs. The Wiegand selected must be the same as the controller’s Wiegand Input that the CV-710SL Keypad is being connected to. Example: If you use a controller that recognizes Wiegand 34 bit, then enter the menu of CV-710SL, press 2, then press 3.

Submenu 3 - Select Output Protocol. The Keypad can send the Code by different Protocols. Select “Single Wiegand” when connected to third party controllers. When “Single Wiegand” is selected, what is typed on the Keypad is sent as a Wiegand Number. Use Double Wiegand when connected to CV-350. Use Clock & Data when connected to a controller with Clock & Data input.

Submenu 4 - PIN Code Length. If “0” is selected, then any PIN Code with any length can be sent, but the PIN Code must be followed with “A” for confirmation(ex. 123 + A). If 1 to 8 is selected the PIN Code length is determined by the number selected.

Submenu 6 - Presets. The Presets are a set of preprogrammed parameters for easy programming.

- 6-1 “Wiegand 26 bit Normal” - Type: Wiegand 26 bit; Output: Single Wiegand; PIN Length: 4 digits; Entry Mode: Card or PIN Code
- 6-2 “Wiegand 34 bit Normal” - Type: Wiegand 34 bit; Output: Single Wiegand; PIN Length: 4 digits; Entry Mode: Card or PIN Code
- 6-3 “Wiegand 34 bit CV-350” - Type: Wiegand 34 bit; Output: Double Wiegand; PIN Length: 4 digits; Entry Mode: Card or PIN Code
- 6-4 “Wiegand 26 bit CV-350” - Type: Wiegand 26 bit; Output: Double Wiegand; PIN Length: 4 digits; Entry Mode: Card or PIN Code

Presets 6-3 and 6-4 to be used always when CV-710SL is connected to CV-350 firmware ver.2.42 or higher.

Submenu 7 - Site Code Length. Set the code length sent to Host. Default is “0”. To be used only in specific cases.

Submenu 8 - Enter Site Code. Put the site code always in 5 digit format (ex. 00170).

Submenu 9 - Backlight. Turns ON/OFF the backlight.

Connecting CV-710SL to CV-350 Controller

When CV-710SL is connected to a CV-350 Controller, settings must be done in the CAMS Software and in the CV-710SL Keypad.

Example:

Create a User to access with Card or PIN Code. The Card Number is 8744987 and the PIN Code 12345.

Settings in the CAMS Software

1. In the CAMS Software, right click on the Reader and select properties. In the Properties window select for Type: "CV-710SL" (1.1)
2. Select the Wiegand 26 bit (1.2)
3. Press Save & Exit. In the event window a confirmation message will appear as shown in fig.2
4. Adjust the PIN Length. Go to Settings/ System parameters. For Keycode length select 5 digits. (fig3)
5. Go To Users Menu and select the user. In the Field User ID (Card Number) write 8744987. In the Field "Access Code" write the PIN Code 12345. Save the User. (fig.4)

Settings in the CV-710SL

1. Enter the Menu of CV-710SL. Press B+000000.
2. Press 6, press 4. The Preset, programs the CV-710SL Keypad to work with CV-350 controller in Wiegand 26 bit.
3. Adjust the PIN Length. Press 4, then press 5.

Type 12345 and access will be granted.

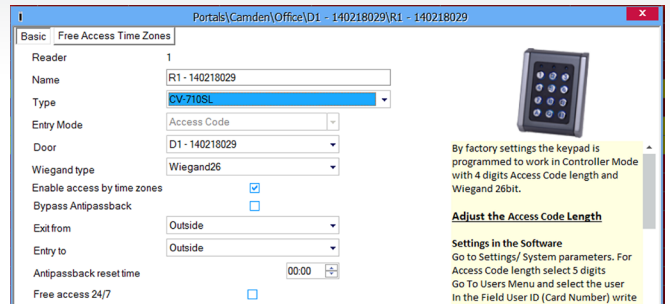


Fig.2

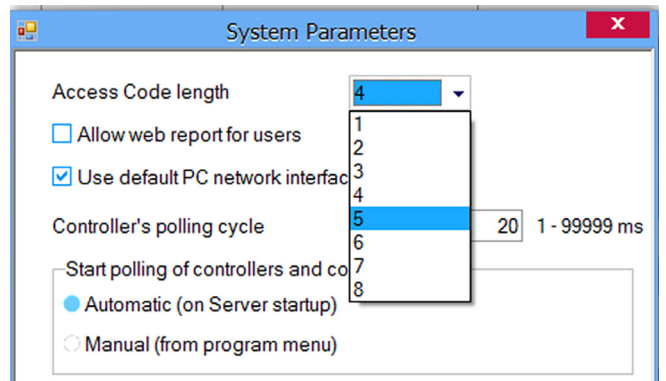


Fig.3

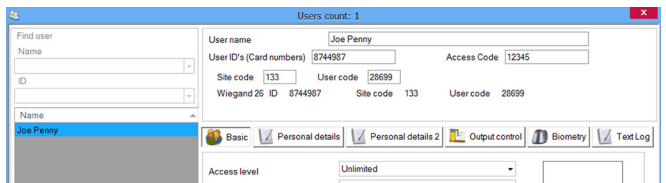


Fig.4

Questions? Call us toll-free at 1-877-226-3369



Push Buttons



Keypads



Strikes



Magnetic Locks



Key Switches



Relays & Timers



Access Control



5502 Timberlea Blvd.,
Mississauga, ON Canada
L4W 2T7

www.camdencontrols.com
Toll Free: 1.877.226.3369

File: CV-710SL
Installation Instructions.innd
Revision: 25/06/2015
Part No.: 40-82B173